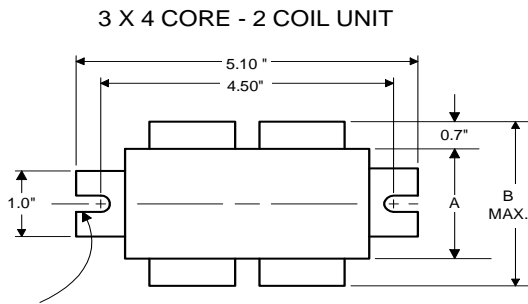




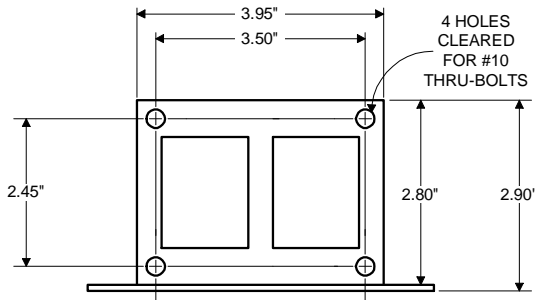
High Pressure
Sodium
Lamp Ballast

Catalog Number 71A81J2
For 150W S55
60 Hz HX-HPF
Status: Active

DIMENSIONS AND DATA

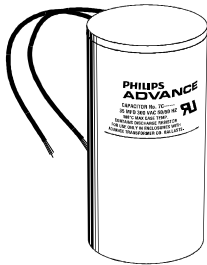


0.25" WIDE
2 SLOTS



INPUT VOLTS	220				
CIRCUIT TYPE	HX-HPF				
POWER FACTOR (min)	90%				
REGULATION					
Line Volts	±5%				
Lamp Watts	WITHIN TRAPEZOID				
LINE CURRENT (Amps)					
Operating.....	0.90				
Open Circuit.....	1.50				
Starting.....	1.10				
UL TEMPERATURE RATINGS					
Insulation Class	H(180°C)				
Coil Temperature Code	1029				
MIN. AMBIENT STARTING TEMP.	-40F or -40C				
NOM. OPEN CIRCUIT VOLTAGE	120				
INPUT VOLTAGE AT LAMP DROPOUT.....	176				
INPUT WATTS	188				
RECOMMENDED FUSE (Amps).....	4				
CORE and COIL					
Dimension (A)	2.50				
Dimension (B)	3.80				
Weight (lbs.)	0				
Lead Lengths	12"				
CAPACITOR REQUIREMENT					
Microfarads	14.0				
Volts (min.)	280				
Fault Current Withstand (amps)					
60 Hz TEST PROCEDURES (Refer to Advance Test Procedure for HID Ballasts - Form 1270)					
High Potential Test (Volts)					
1 minute	2000				
2 seconds	2500				
Open Circuit Voltage Test (Volts)	110-130				
Short-Circuit Current Test (Amps)					
Secondary Current	3.95-4.85				
Input Current.....	0.65-0.95				

Capacitor: 7C140M30RA



Capacitance: 14
Dia/Oval Dim: 1.65
Height: 2.75
Temp Rating: 105°C

Wiring Diagram:

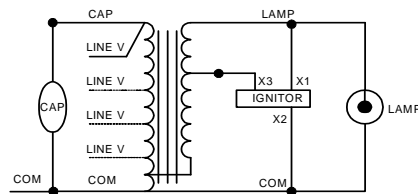


Fig. K

Ordering Information

Order Suffix	Description

Ignitor: LI551-H4



Red (X1)
White (X2)
Blue (X3)

Ballast to Lamp Distance
(BTL) = 2 feet
Temp Rating: 105°C

Data is based upon tests performed by Advance Transformer in a controlled environment and representative of relative performance. Actual performance can vary depending on operating conditions. Specifications are subject to change without notice.

ADVANCE TRANSFORMER CO.

O'HARE INTERNATIONAL CENTER · 10275 WEST HIGGINS ROAD · ROSEMONT, IL 60018
Customer Support/Technical Service: Phone: 800-372-3331 · Fax: 847-768-7768
Corporate Offices: Phone: 800-322-2086

03/03/10