

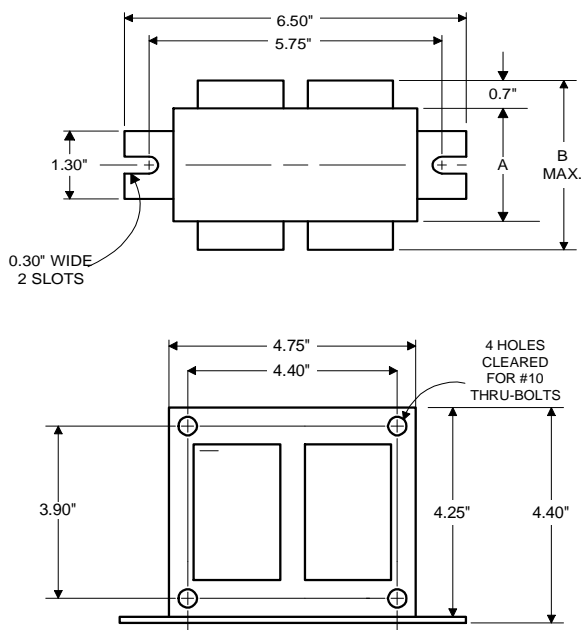


High Pressure
Sodium
Lamp Ballast

Catalog Number 71A8251A
For 250W S-50
60 Hz CWA
Status: Active

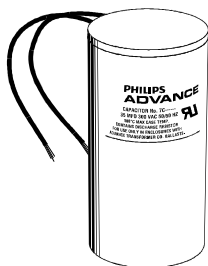
DIMENSIONS AND DATA

4 1/4 X 4 3/4 CORE - 2 COIL UNIT



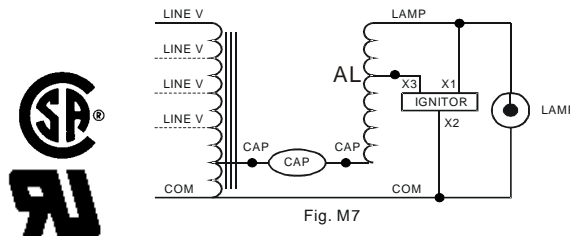
	120	208	240	277	480
INPUT VOLTS					
CIRCUIT TYPE	CWA				
POWER FACTOR (min)	94%				
REGULATION					
Line Volts	±10%				
Lamp Watts	±ANSITRAP				
LINE CURRENT (Amps)					
Operating.....	2.66	1.54	1.32	1.16	0.66
Open Circuit.....	1.82	1.10	0.92	0.83	0.45
Starting.....	1.32	0.82	0.66	0.56	0.32
UL TEMPERATURE RATINGS					
Insulation Class	H(180°C)				
Coil Temperature Code	1029				
MIN. AMBIENT STARTING TEMP.	-40F or -40°C				
NOM. OPEN CIRCUIT VOLTAGE	188				
INPUT VOLTAGE AT LAMP DROPOUT.....	82	136	159	183	314
INPUT WATTS	300				
RECOMMENDED FUSE (Amps).....	7	4	4	3	2
CORE and COIL					
Dimension (A)	2.00				
Dimension (B)	3.65				
Weight (lbs.)	12				
Lead Lengths	12"				
CAPACITOR REQUIREMENT					
Microfarads	35.0				
Volts (min.)	240				
Fault Current Withstand (amps)					
60 Hz TEST PROCEDURES (Refer to Advance Test Procedure for HID Ballasts - Form 1270)					
High Potential Test (Volts)					
1 minute	2000				
2 seconds	2500				
Open Circuit Voltage Test (Volts)	169-207				
Short-Circuit Current Test (Amps)					
Secondary Current	3.69-4.51				
Input Current.....	0.81-1.22	0.44-0.66	0.39-0.58	0.32-0.49	0.20-0.30

Capacitor: 7C350P24



Capacitance: 35
Dia/Oval Dim: 1.75
Height: 3.75
Temp Rating: 105°C

Wiring Diagram:



Ordering Information

Order Suffix	Description

Ignitor: LI501-H4



Red (X1)
White (X2)
Blue (X3)

Ballast to Lamp Distance (BTL) = 2 feet
Temp Rating: 105°C

Data is based upon tests performed by Advance Transformer in a controlled environment and representative of relative performance. Actual performance can vary depending on operating conditions. Specifications are subject to change without notice.

ADVANCE TRANSFORMER CO.

O'HARE INTERNATIONAL CENTER · 10275 WEST HIGGINS ROAD · ROSEMONT, IL 60018
Customer Support/Technical Service: Phone: 800-372-3331 · Fax: 847-768-7768
Corporate Offices: Phone: 800-322-2086

06/09/09