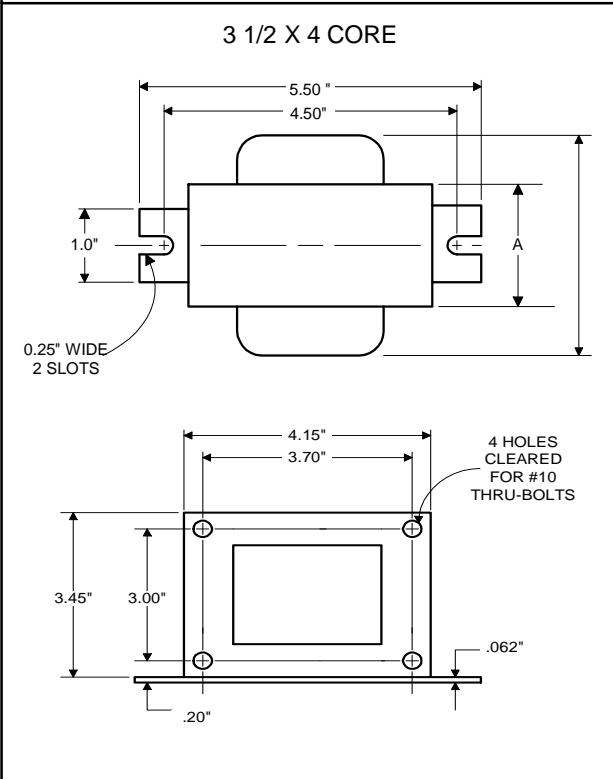




High Pressure  
Sodium  
Lamp Ballast

Catalog Number 71A85B7  
For 600W PHILIPS GR PWR  
60 Hz R-HPF  
Status: Active

**DIMENSIONS AND DATA**



INPUT VOLTS	347				
CIRCUIT TYPE	R-HPF				
POWER FACTOR (min)	90%				
REGULATION					
Line Volts	±5%				
Lamp Watts	±10%				
LINE CURRENT (Amps)					
Operating.....	2.05				
Open Circuit.....	2.95				
Starting.....	2.40				
UL TEMPERATURE RATINGS					
Insulation Class	H(180°C)				
Coil Temperature Code	1029				
MIN. AMBIENT STARTING TEMP.	-40F or -40°C				
NOM. OPEN CIRCUIT VOLTAGE	347				
INPUT VOLTAGE AT LAMP DROPOUT.....	280				
INPUT WATTS	640				
RECOMMENDED FUSE (Amps).....	7				
CORE and COIL					
Dimension (A)	3.10				
Dimension (B)	4.65				
Weight (lbs.)	12				
Lead Lengths	12"				
CAPACITOR REQUIREMENT					
Microfarads	22.5				
Volts (min.)	400				
Fault Current Withstand (amps)					
60 Hz TEST PROCEDURES (Refer to Advance Test Procedure for HID Ballasts - Form 1270)					
High Potential Test (Volts)					
1 minute	1500				
2 seconds	2500				
Open Circuit Voltage Test (Volts)	329-364				
Short-Circuit Current Test (Amps)					
Secondary Current	4.65-5.70				
Input Current.....	1.70-2.60				

Capacitor: 7C225P40



Capacitance: 22.5  
Dia/Oval Dim: 1.75  
Height: 4.8  
Temp Rating: 105°C

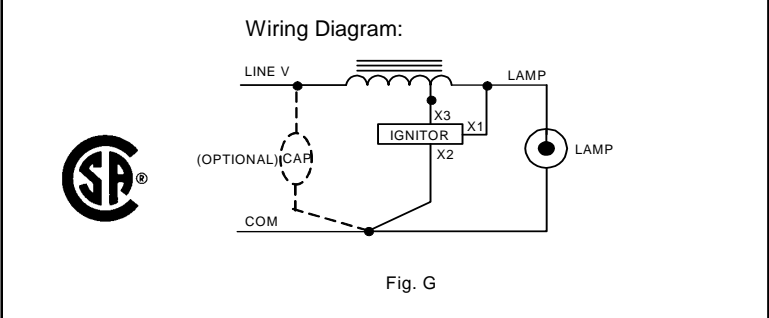


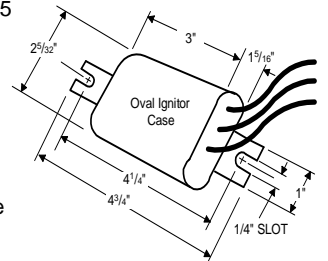
Fig. G

**Ordering Information**

Order Suffix	Description

Ignitor:

LI562-H5



Ballast to Lamp Distance (BTL) = 5 feet  
Temp Rating: 105°C

Data is based upon tests performed by Advance Transformer in a controlled environment and representative of relative performance. Actual performance can vary depending on operating conditions. Specifications are subject to change without notice.