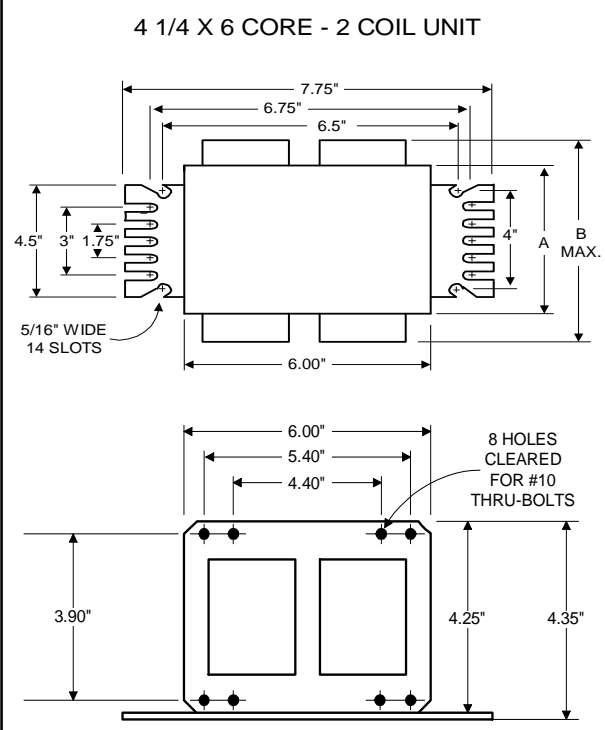




High Pressure
Sodium
Lamp Ballast

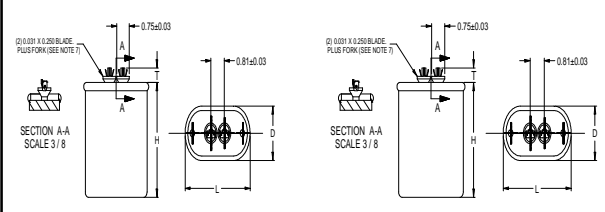
Catalog Number 71A8743
For 1000W S52
60 Hz CWA
Status: Active

DIMENSIONS AND DATA

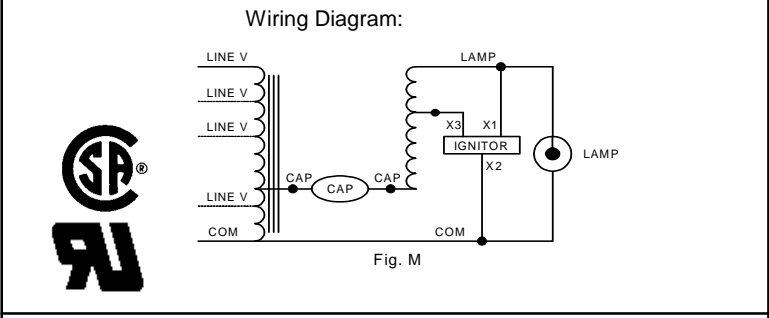


INPUT VOLTS	480				
CIRCUIT TYPE	CWA				
POWER FACTOR (min)	90%				
REGULATION					
Line Volts	±10%				
Lamp Watts	WITHIN TRAPEZOID				
LINE CURRENT (Amps)					
Operating.....	2.30				
Open Circuit.....	0.90				
Starting.....	1.60				
UL TEMPERATURE RATINGS					
Insulation Class	H(180°C)				
Coil Temperature Code	1029				
MIN. AMBIENT STARTING TEMP.	-40°F or -40°C				
NOM. OPEN CIRCUIT VOLTAGE	435				
INPUT VOLTAGE AT LAMP DROPOUT.....	360				
INPUT WATTS	1100				
RECOMMENDED FUSE (Amps).....	6				
CORE and COIL					
Dimension (A)	3.90				
Dimension (B)	5.90				
Weight (lbs.)	28				
Lead Lengths	12"				
CAPACITOR REQUIREMENT					
Microfarads	26.0				
Volts (min.)	525				
Fault Current Withstand (amps)					
60 Hz TEST PROCEDURES (Refer to Advance Test Procedure for HID Ballasts - Form 1270)					
High Potential Test (Volts)					
1 minute	2000				
2 seconds	2500				
Open Circuit Voltage Test (Volts)	395-485				
Short-Circuit Current Test (Amps)					
Secondary Current	6.40-7.80				
Input Current.....	1.75-2.65				

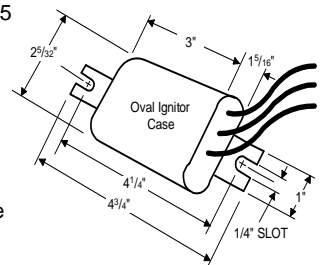
Capacitor: RW1626020 MD2602-100



Capacitance:	26	Capacitance:	26
Dia/Oval Dim:	1.75	Dia/Oval Dim:	1.75
Height:	4.25	Height:	5.3
Temp Rating:	90°C	Temp Rating:	90°C



Ignitor: LI571-H5



Ballast to Lamp Distance (BTL) = 15 feet
Temp Rating: 105°C

Ordering Information	
Order Suffix	Description
500.	Ballast with Ignitor and Oil Filled Capacitor
510.	Ballast w/Welded Bracket, Igniter & Oil-Filled Capacitor

Data is based upon tests performed by Advance Transformer in a controlled environment and representative of relative performance. Actual performance can vary depending on operating conditions. Specifications are subject to change without notice.