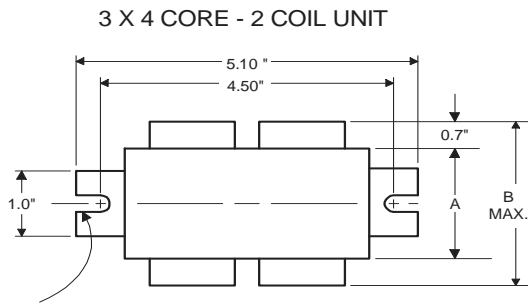




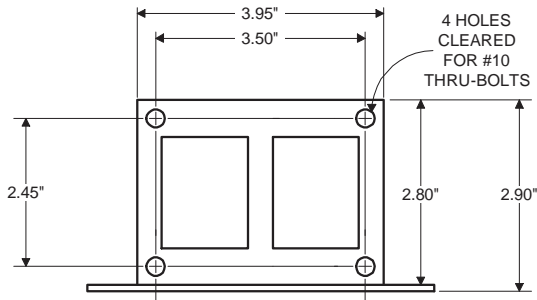
High Pressure
Sodium
Lamp Ballast

Catalog Number 71A9907
For 150W S55
60 Hz HX-HPF
Status: Active

DIMENSIONS AND DATA

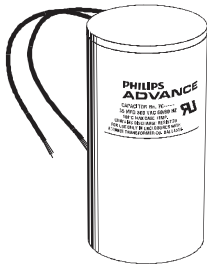


0.25" WIDE
2 SLOTS



| | | | | | |
|--|------------------|-----------|-----------|-----------|---|
| INPUT VOLTS | 120 | 208 | 240 | 277 | |
| CIRCUIT TYPE | HX-HPF | | | | |
| POWER FACTOR (min) | 90% | | | | |
| REGULATION | ±5% | | | | |
| Line Volts | WITHIN TRAPEZOID | | | | |
| Lamp Watts | WITHIN TRAPEZOID | | | | |
| LINE CURRENT (Amps) | | | | | |
| Operating..... | 1.65 | 0.95 | 0.85 | 0.75 | |
| Open Circuit..... | 2.80 | 1.60 | 1.40 | 1.25 | |
| Starting..... | 2.00 | 1.15 | 1.00 | 0.85 | |
| UL TEMPERATURE RATINGS | H(180°C) | | | | |
| Insulation Class | 1029 | | | | |
| Coil Temperature Code | C | C | C | C | |
| MIN. AMBIENT STARTING TEMP. | -40°F or -40°C | | | | |
| NOM. OPEN CIRCUIT VOLTAGE | 120 | | | | |
| INPUT VOLTAGE AT LAMP DROPOUT..... | 96 | 166 | 192 | 222 | |
| INPUT WATTS | 186 | | | | |
| RECOMMENDED FUSE (Amps)..... | 10 | 5 | 5 | 4 | |
| CORE and COIL | | | | | |
| Dimension (A) | 2.35 | | | | |
| Dimension (B) | 3.65 | | | | |
| Weight (lbs.) | 7 | | | | |
| Lead Lengths | 12" | | | | |
| CAPACITOR REQUIREMENT | | | | | |
| Microfarads | 14.0 | | | | |
| Volts (min.) | 280 | | | | |
| Fault Current Withstand (amps) | | | | | |
| 60 Hz TEST PROCEDURES (Refer to Advance Test Procedure for HID Ballasts - Form 1270) | | | | | |
| High Potential Test (Volts) | | | | | |
| 1 minute | 2000 | | | | |
| 2 seconds | 2500 | | | | |
| Open Circuit Voltage Test (Volts) | 110-130 | | | | |
| Short-Circuit Current Test (Amps) | | | | | |
| Secondary Current | 3.95-4.85 | | | | |
| Input Current..... | 1.70-2.50 | 0.95-1.45 | 0.85-1.25 | 0.75-1.10 | - |

Capacitor: 7C140M33-R



Capacitance: 14
Dia/Oval Dim: 1.5
Height: 2.9
Temp Rating: 105°C



Wiring Diagram:

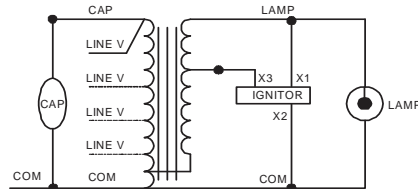
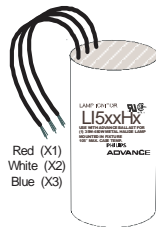


Fig. K

Ordering Information

| Order Suffix | Description |
|--------------|-------------|
|--------------|-------------|

Ignitor: LI551-H4



Ballast to Lamp Distance (BTL) = 2 feet
Temp Rating: 105°C

Data is based upon tests performed by Advance Transformer in a controlled environment and representative of relative performance. Actual performance can vary depending on operating conditions. Specifications are subject to change without notice.

ADVANCE TRANSFORMER CO.

O'HARE INTERNATIONAL CENTER · 10275 WEST HIGGINS ROAD · ROSEMONT, IL 60018
Customer Support/Technical Service: Phone: 800-372-3331 · Fax: 847-768-7768
Corporate Offices: Phone: 800-322-2086

10/29/09