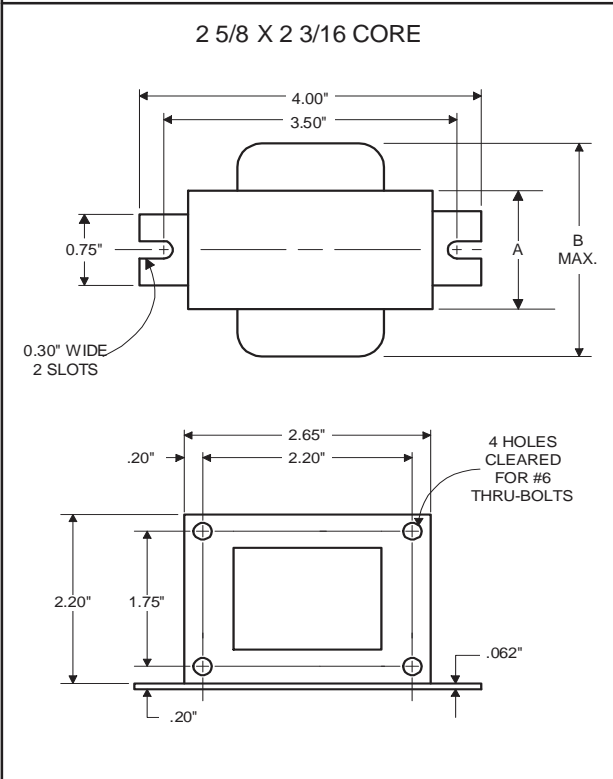




High Pressure
Sodium
Lamp Ballast

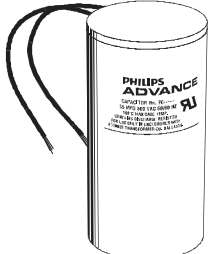
Catalog Number 71A9916
For 70W SON-T PIA
60 Hz LEAD-REACTOR
Status: Active

DIMENSIONS AND DATA



INPUT VOLTS	220	240			
CIRCUIT TYPE	LEAD-REACTOR				
POWER FACTOR (min)	90%				
REGULATION					
Line Volts	±5%				
Lamp Watts	±10%				
LINE CURRENT (Amps)					
Operating.....	0.38	0.35			
Open Circuit.....	0.83	0.90			
Starting.....	0.33	0.24			
UL TEMPERATURE RATINGS					
Insulation Class	H(180°C)				
Coil Temperature Code	1029				
MIN. AMBIENT STARTING TEMP.	-20°F or -30°C				
NOM. OPEN CIRCUIT VOLTAGE	220				
INPUT VOLTAGE AT LAMP DROPOUT.....	120	140			
INPUT WATTS	82				
RECOMMENDED FUSE (Amps).....	2	2			
CORE and COIL					
Dimension (A)	1.64				
Dimension (B)	3.00				
Weight (lbs.)	3.2				
Lead Lengths	12"				
CAPACITOR REQUIREMENT					
Microfarads	10.0				
Volts (min.)	300				
Fault Current Withstand (amps)					
60 Hz TEST PROCEDURES (Refer to Advance Test Procedure for HID Ballasts - Form 1270)					
High Potential Test (Volts)					
1 minute	2000				
2 seconds	2500				
Open Circuit Voltage Test (Volts)	202-233				
Short-Circuit Current Test (Amps)					
Secondary Current	0.88-1.36				
Input Current.....	0.25-0.38	0.17-0.25	-	-	-

Capacitor: 7C100M30RA



Capacitance: 10
Dia/Oval Dim: 1.65
Height: 2.75
Temp Rating: 105°C

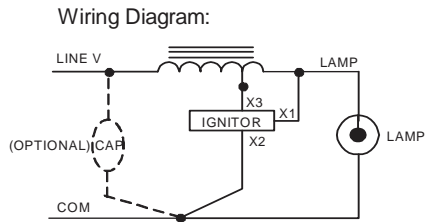


Fig. G

Ordering Information

Order Suffix	Description

Ignitor:

LI501-H4



Ballast to Lamp Distance (BTL) = 2 feet
Temp Rating: 105°C

Data is based upon tests performed by Advance Transformer in a controlled environment and representative of relative performance. Actual performance can vary depending on operating conditions. Specifications are subject to change without notice.