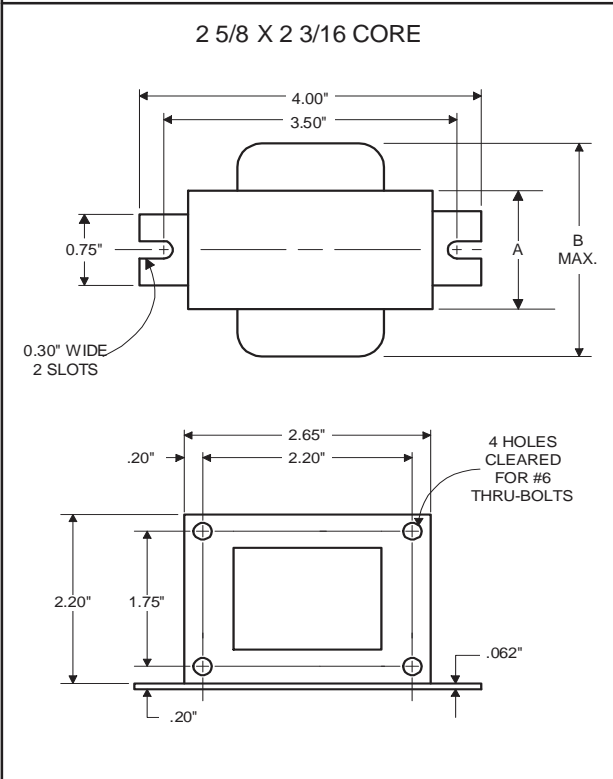




High Pressure
Sodium
Lamp Ballast

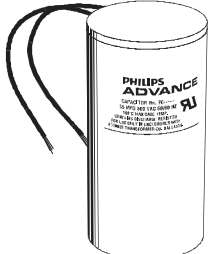
Catalog Number 71A9917
For 100W SON-T PIA
60 Hz LEAD-REACTOR
Status: Active

DIMENSIONS AND DATA



INPUT VOLTS	220	240			
CIRCUIT TYPE	LEAD-REACTOR				
POWER FACTOR (min)	90%				
REGULATION					
Line Volts	±5%				
Lamp Watts	±10%				
LINE CURRENT (Amps)					
Operating.....	0.52	0.46			
Open Circuit.....	0.97	1.06			
Starting.....	0.56	0.40			
UL TEMPERATURE RATINGS					
Insulation Class	H(180°C)				
Coil Temperature Code	1029				
MIN. AMBIENT STARTING TEMP.	-20°F or -30°C				
NOM. OPEN CIRCUIT VOLTAGE	220				
INPUT VOLTAGE AT LAMP DROPOUT.....	110	120			
INPUT WATTS	112				
RECOMMENDED FUSE (Amps).....	4	4			
CORE and COIL					
Dimension (A)	2.00				
Dimension (B)	3.25				
Weight (lbs.)	4				
Lead Lengths	12"				
CAPACITOR REQUIREMENT					
Microfarads	12.0				
Volts (min.)	300				
Fault Current Withstand (amps)					
60 Hz TEST PROCEDURES (Refer to Advance Test Procedure for HID Ballasts - Form 1270)					
High Potential Test (Volts)					
1 minute	2000				
2 seconds	2500				
Open Circuit Voltage Test (Volts)	202-233				
Short-Circuit Current Test (Amps)					
Secondary Current	1.20-1.65				
Input Current.....	0.44-0.66	0.33-0.40	-	-	-

Capacitor: 7C120M30RA



Capacitance: 12
Dia/Oval Dim: 1.65
Height: 2.75
Temp Rating: 105°C

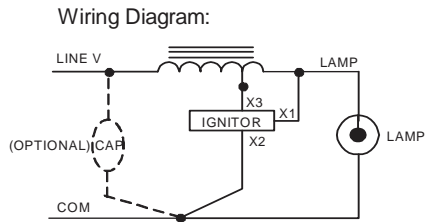


Fig. G

Ordering Information

Order Suffix	Description
--------------	-------------

Ignitor:

LI533-H4



Red (X1)
White (X2)
Blue (X3)

Ballast to Lamp Distance (BTL) = 2 feet
Temp Rating: 105°C

Data is based upon tests performed by Advance Transformer in a controlled environment and representative of relative performance. Actual performance can vary depending on operating conditions. Specifications are subject to change without notice.