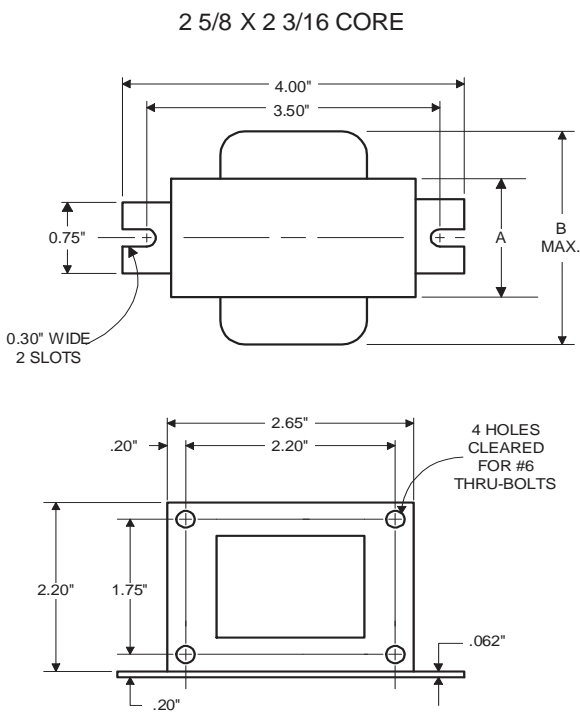




High Pressure
Sodium
Lamp Ballast

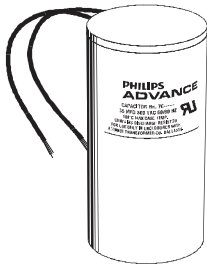
Catalog Number 71A9918
For 150W SON-T PIA
60 Hz LEAD-REACTOR
Status: Active

DIMENSIONS AND DATA



INPUT VOLTS	220	240			
CIRCUIT TYPE	LEAD-REACTOR				
POWER FACTOR (min)	90%				
REGULATION					
Line Volts	±5%				
Lamp Watts	±10%				
LINE CURRENT (Amps)					
Operating.....	0.78	0.72			
Open Circuit.....	1.41	1.53			
Starting.....	0.88	0.71			
UL TEMPERATURE RATINGS					
Insulation Class	H(180°C)				
Coil Temperature Code	1029				
MIN. AMBIENT STARTING TEMP.	-20°F or -30°C				
NOM. OPEN CIRCUIT VOLTAGE	220				
INPUT VOLTAGE AT LAMP DROPOUT.....	110	120			
INPUT WATTS	167				
RECOMMENDED FUSE (Amps).....	4	4			
CORE and COIL					
Dimension (A)	2.74				
Dimension (B)	4.10				
Weight (lbs.)	5				
Lead Lengths	12"				
CAPACITOR REQUIREMENT					
Microfarads	17.0				
Volts (min.)	300				
Fault Current Withstand (amps)					
60 Hz TEST PROCEDURES (Refer to Advance Test Procedure for HID Ballasts - Form 1270)					
High Potential Test (Volts)					
1 minute	2000				
2 seconds	2500				
Open Circuit Voltage Test (Volts)	202-233				
Short-Circuit Current Test (Amps)					
Secondary Current	1.77-2.67				
Input Current.....	0.68-1.02	0.57-0.85	-	-	-

Capacitor: 7C170P40



Capacitance: 17
Dia/Oval Dim: 1.75
Height: 3.75
Temp Rating: 105°C

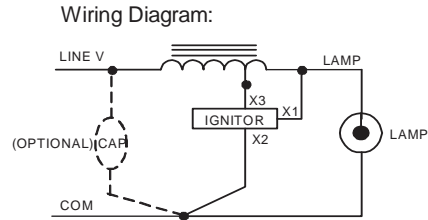
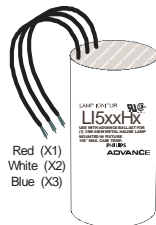


Fig. G

Ordering Information

Order Suffix	Description
--------------	-------------

Ignitor: LI533-H4



Ballast to Lamp Distance (BTL) = 2 feet
Temp Rating: 105°C

Data is based upon tests performed by Advance Transformer in a controlled environment and representative of relative performance. Actual performance can vary depending on operating conditions. Specifications are subject to change without notice.

ADVANCE TRANSFORMER CO.

O'HARE INTERNATIONAL CENTER · 10275 WEST HIGGINS ROAD · ROSEMONT, IL 60018
Customer Support/Technical Service: Phone: 800-372-3331 · Fax: 847-768-7768
Corporate Offices: Phone: 800-322-2086

03/20/12