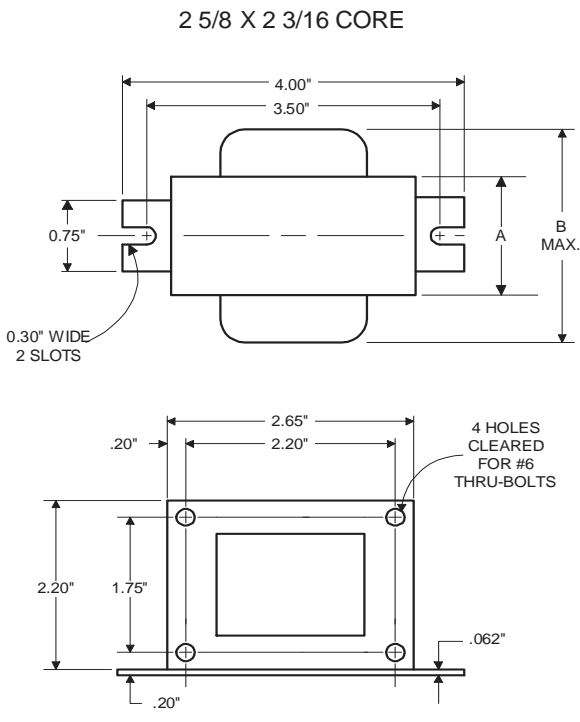




High Pressure
Sodium
Lamp Ballast

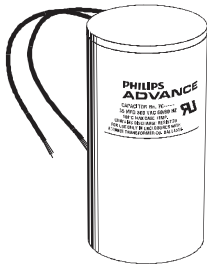
Catalog Number 71A9928-100
For 100W S54
60 Hz R-HPF
Status: Active

DIMENSIONS AND DATA



INPUT VOLTS	120				
CIRCUIT TYPE	R-HPF				
POWER FACTOR (min)	90%				
REGULATION					
Line Volts	±5%				
Lamp Watts	WITHIN TRAPEZOID				
LINE CURRENT (Amps)					
Operating.....	1.00				
Open Circuit.....	2.35				
Starting.....	0.45				
UL TEMPERATURE RATINGS					
Insulation Class	N(200°C)				
Coil Temperature Code	1029	A			
MIN. AMBIENT STARTING TEMP.	-40°F or -40°C				
NOM. OPEN CIRCUIT VOLTAGE	120				
INPUT VOLTAGE AT LAMP DROPOUT.....	96				
INPUT WATTS	112				
RECOMMENDED FUSE (Amps).....	6				
CORE and COIL					
Dimension (A)	2.05				
Dimension (B)	3.45				
Weight (lbs.)	3.5				
Lead Lengths	.1"				
CAPACITOR REQUIREMENT					
Microfarads	52.0				
Volts (min.)	120				
Fault Current Withstand (amps)					
60 Hz TEST PROCEDURES (Refer to Advance Test Procedure for HID Ballasts - Form 1270)					
High Potential Test (Volts)					
1 minute	1500				
2 seconds	2500				
Open Circuit Voltage Test (Volts)	112-126				
Short-Circuit Current Test (Amps)					
Secondary Current	2.45-3.05				
Input Current.....	0.35-0.55	-	-	-	-

Capacitor: 7C520P24



Capacitance: 52
Dia/Oval Dim: 1.75
Height: 5.15
Temp Rating: 105°C

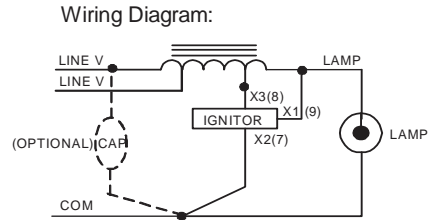
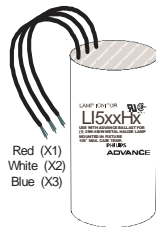


Fig. G3

Ordering Information

Order Suffix	Description
--------------	-------------

Ignitor: LI551-H4



Ballast to Lamp Distance (BTL) = 2 feet
Temp Rating: 105°C

Data is based upon tests performed by Advance Transformer in a controlled environment and representative of relative performance. Actual performance can vary depending on operating conditions. Specifications are subject to change without notice.

ADVANCE TRANSFORMER CO.

O'HARE INTERNATIONAL CENTER · 10275 WEST HIGGINS ROAD · ROSEMONT, IL 60018
Customer Support/Technical Service: Phone: 800-372-3331 · Fax: 847-768-7768
Corporate Offices: Phone: 800-322-2086

05/17/10