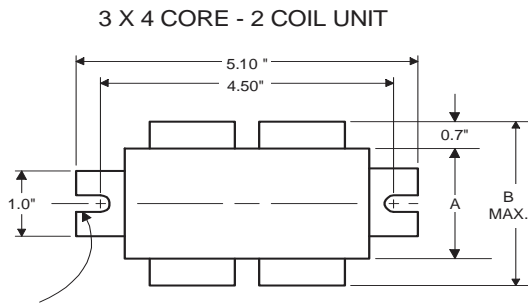




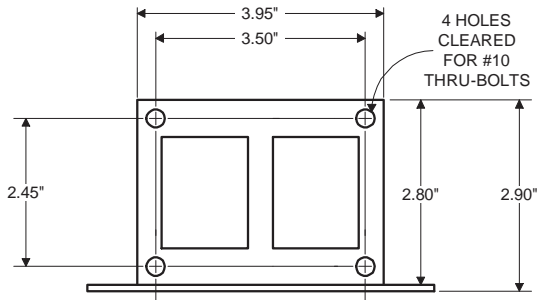
High Pressure  
Sodium  
Lamp Ballast

Catalog Number 71A9934  
For 70W S62  
60 Hz HX-HPF  
Status: Active

**DIMENSIONS AND DATA**

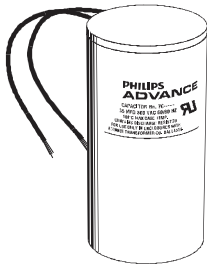


0.25" WIDE  
2 SLOTS



	120	220	240	277
INPUT VOLTS				
CIRCUIT TYPE	HX-HPF			
POWER FACTOR (min)	90%			
REGULATION	±5%			
Line Volts	WITHIN TRAPEZOID			
Lamp Watts				
LINE CURRENT (Amps)				
Operating.....	0.81	0.44	0.40	0.35
Open Circuit.....	1.45	0.78	0.75	0.07
Starting.....	0.75	0.44	0.37	0.35
UL TEMPERATURE RATINGS				
Insulation Class	H(180°C)			
Coil Temperature Code	1029			
MIN. AMBIENT STARTING TEMP.	B	C	B	C
NOM. OPEN CIRCUIT VOLTAGE	120			
INPUT VOLTAGE AT LAMP DROPOUT.....	96	165	192	222
INPUT WATTS	91			
RECOMMENDED FUSE (Amps).....	5	3	2	2
CORE and COIL				
Dimension (A)	1.50			
Dimension (B)	3.10			
Weight (lbs.)	5.5			
Lead Lengths	12"			
CAPACITOR REQUIREMENT				
Microfarads	7.0			
Volts (min.)	280			
Fault Current Withstand (amps)				
60 Hz TEST PROCEDURES (Refer to Advance Test Procedure for HID Ballasts - Form 1270)				
High Potential Test (Volts)				
1 minute	2000			
2 seconds	2500			
Open Circuit Voltage Test (Volts)	110-130			
Short-Circuit Current Test (Amps)				
Secondary Current	1.08-2.20			
Input Current.....	0.60-0.95	0.32-0.49	0.30-0.50	0.25-0.40

Capacitor: 7C070L33-R



Capacitance: 7  
Dia/Oval Dim: 1.25  
Height: 2.9  
Temp Rating: 105°C



Wiring Diagram:

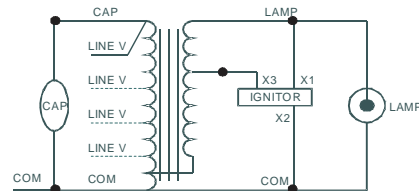
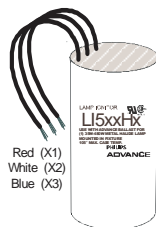


Fig. K3

**Ordering Information**

Order Suffix	Description
--------------	-------------

Ignitor: LI551-H4



Ballast to Lamp Distance (BTL) = 2 feet  
Temp Rating: 105°C

Data is based upon tests performed by Advance Transformer in a controlled environment and representative of relative performance. Actual performance can vary depending on operating conditions. Specifications are subject to change without notice.

**ADVANCE TRANSFORMER CO.**

O'HARE INTERNATIONAL CENTER · 10275 WEST HIGGINS ROAD · ROSEMONT, IL 60018  
Customer Support/Technical Service: Phone: 800-372-3331 · Fax: 847-768-7768  
Corporate Offices: Phone: 800-322-2086

10/04/07