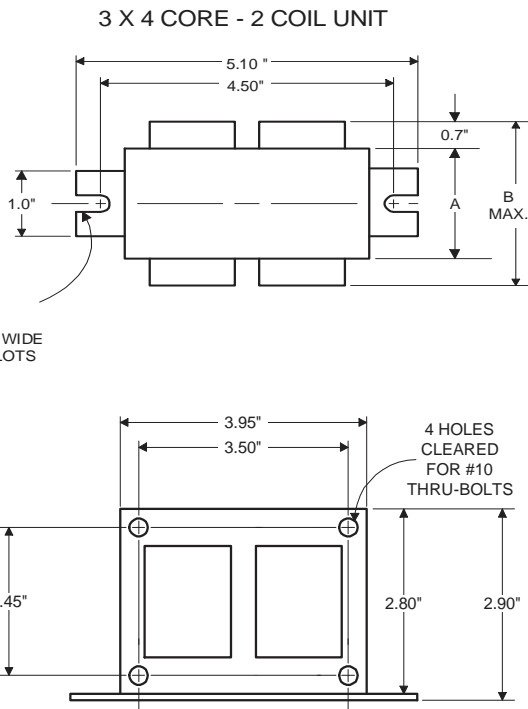




High Pressure
Sodium
Lamp Ballast

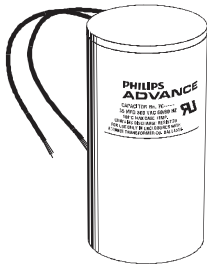
Catalog Number 71A9935
For 100W S54
60 Hz HX-HPF
Status: Active

DIMENSIONS AND DATA



	120	220	240	277
INPUT VOLTS				
CIRCUIT TYPE	HX-HPF			
POWER FACTOR (min)	90%			
REGULATION	±5%			
Line Volts	WITHIN TRAPEZOID			
Lamp Watts				
LINE CURRENT (Amps)				
Operating.....	1.15	0.63	0.58	0.50
Open Circuit.....	2.20	1.10	1.10	0.85
Starting.....	1.30	0.75	0.65	0.60
UL TEMPERATURE RATINGS				
Insulation Class	H(180°C)			
Coil Temperature Code	1029			
MIN. AMBIENT STARTING TEMP.	-40°F or -40°C			
NOM. OPEN CIRCUIT VOLTAGE	120			
INPUT VOLTAGE AT LAMP DROPOUT.....	96	170	192	222
INPUT WATTS	130			
RECOMMENDED FUSE (Amps).....	7	5	3	3
CORE and COIL				
Dimension (A)	2.00			
Dimension (B)	3.60			
Weight (lbs.)	7.2			
Lead Lengths	12"			
CAPACITOR REQUIREMENT				
Microfarads	10.0			
Volts (min.)	280			
Fault Current Withstand (amps)				
60 Hz TEST PROCEDURES (Refer to Advance Test Procedure for HID Ballasts - Form 1270)				
High Potential Test (Volts)				
1 minute	2000			
2 seconds	2500			
Open Circuit Voltage Test (Volts)	110-130			
Short-Circuit Current Test (Amps)				
Secondary Current	2.60-3.20			
Input Current.....	0.70-1.20	0.45-0.65	0.35-0.60	0.30-0.55

Capacitor: 7C100M33-R



Capacitance: 10
Dia/Oval Dim: 1.5
Height: 2.9
Temp Rating: 105°C

Wiring Diagram:

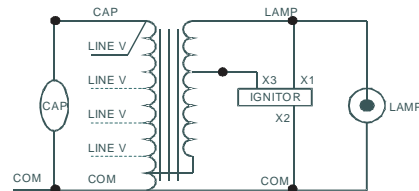
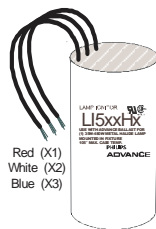


Fig. K3

Ordering Information

Order Suffix	Description
500DM	Dry cap, NOM (Mexico) Label, No flag terminals

Ignitor: LI551-H4



Ballast to Lamp Distance (BTL) = 2 feet
Temp Rating: 105°C

Data is based upon tests performed by Advance Transformer in a controlled environment and representative of relative performance. Actual performance can vary depending on operating conditions. Specifications are subject to change without notice.

ADVANCE TRANSFORMER CO.

O'HARE INTERNATIONAL CENTER · 10275 WEST HIGGINS ROAD · ROSEMONT, IL 60018
Customer Support/Technical Service: Phone: 800-372-3331 · Fax: 847-768-7768
Corporate Offices: Phone: 800-322-2086

10/29/09