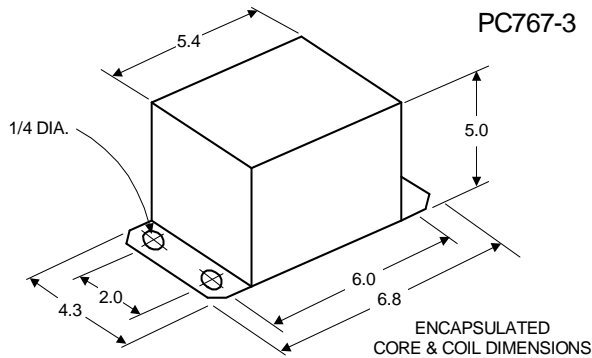




High Pressure
Sodium
Lamp Ballast

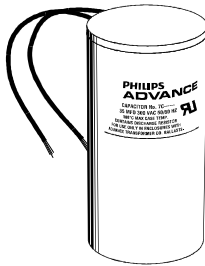
Catalog Number 73B8291A
For 250W S50
60 Hz CWA
Status: Active

DIMENSIONS AND DATA



INPUT VOLTS	120	208	240	277
CIRCUIT TYPE	CWA			
POWER FACTOR (min)	90%			
REGULATION	±10%			
Line Volts	WITHIN TRAPEZOID			
Lamp Watts	WITHIN TRAPEZOID			
LINE CURRENT (Amps)				
Operating.....	2.50	1.47	1.25	1.09
Open Circuit.....	1.53	0.95	0.77	0.63
Starting.....	1.61	0.89	0.80	0.68
UL TEMPERATURE RATINGS	H(180°C)			
Insulation Class	1029			
Coil Temperature Code	B	B	B	B
MIN. AMBIENT STARTING TEMP.	-40F or -40°C			
NOM. OPEN CIRCUIT VOLTAGE	187			
INPUT VOLTAGE AT LAMP DROPOUT.....	82	139	158	184
INPUT WATTS	295			
RECOMMENDED FUSE (Amps).....	7	4	4	3
CORE and COIL				
Dimension (A)	15			
Dimension (B)	12"			
Weight (lbs.)	15			
Lead Lengths	12"			
CAPACITOR REQUIREMENT				
Microfarads	35.0			
Volts (min.)	240			
Fault Current Withstand (amps)				
60 Hz TEST PROCEDURES (Refer to Advance Test Procedure for HID Ballasts - Form 1270)				
High Potential Test (Volts)				
1 minute	2000			
2 seconds	2500			
Open Circuit Voltage Test (Volts)	170-205			
Short-Circuit Current Test (Amps)				
Secondary Current	3.65-4.45			
Input Current.....	1.16-1.74	0.64-0.96	0.56-0.85	0.49-0.74

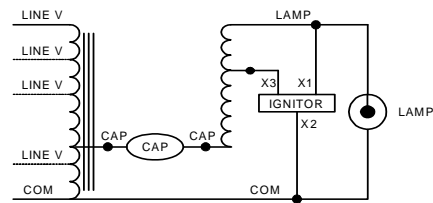
Capacitor: 7C350P24RA



Capacitance: 35
Dia/Oval Dim: 1.65
Height: 3.7
Temp Rating: 105°C



Wiring Diagram:



Ordering Information

Order Suffix	Description

Ignitor: LI501-H4



Red (X1)
White (X2)
Blue (X3)

Ballast to Lamp Distance (BTL) = 2 feet
Temp Rating: 105°C

Data is based upon tests performed by Advance Transformer in a controlled environment and representative of relative performance. Actual performance can vary depending on operating conditions. Specifications are subject to change without notice.

ADVANCE TRANSFORMER CO.

O'HARE INTERNATIONAL CENTER · 10275 WEST HIGGINS ROAD · ROSEMONT, IL 60018
Customer Support/Technical Service: Phone: 800-372-3331 · Fax: 847-768-7768
Corporate Offices: Phone: 800-322-2086

06/13/11