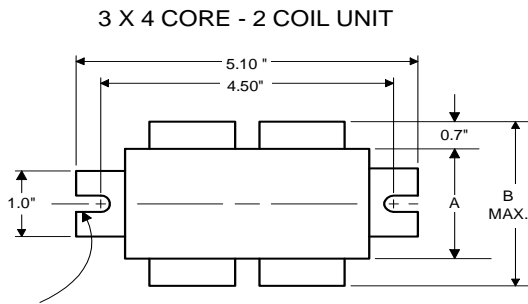




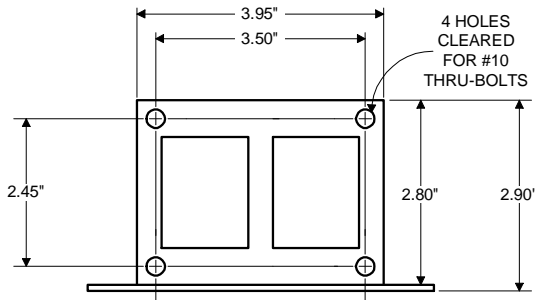
High Pressure  
Sodium  
Lamp Ballast

Catalog Number 71A7801  
For 50W S68  
60 Hz HX-HPF  
Status: Active

**DIMENSIONS AND DATA**

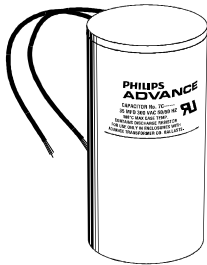


0.25" WIDE  
2 SLOTS



INPUT VOLTS	120	277			
CIRCUIT TYPE	HX-HPF				
POWER FACTOR (min)	90%				
REGULATION	±5%				
Line Volts	WITHIN TRAPEZOID				
Lamp Watts					
LINE CURRENT (Amps)					
Operating.....	0.61	0.26			
Open Circuit.....	1.00	0.45			
Starting.....	0.65	0.30			
UL TEMPERATURE RATINGS	H(180°C)				
Insulation Class	1029				
Coil Temperature Code	A	A			
MIN. AMBIENT STARTING TEMP.	-20°F or -30°C				
NOM. OPEN CIRCUIT VOLTAGE	125				
INPUT VOLTAGE AT LAMP DROPOUT.....	96	222			
INPUT WATTS	66				
RECOMMENDED FUSE (Amps).....	3	1			
CORE and COIL					
Dimension (A)	1.00				
Dimension (B)	2.20				
Weight (lbs.)	3.5				
Lead Lengths	12"				
CAPACITOR REQUIREMENT					
Microfarads	5.0				
Volts (min.)	280				
Fault Current Withstand (amps)					
60 Hz TEST PROCEDURES (Refer to Advance Test Procedure for HID Ballasts - Form 1270)					
High Potential Test (Volts)					
1 minute	2000				
2 seconds	2500				
Open Circuit Voltage Test (Volts)	115-135				
Short-Circuit Current Test (Amps)					
Secondary Current	1.30-1.90				
Input Current.....	0.60-0.80	0.25-0.35	-	-	-

Capacitor: 7C050L33



Capacitance: 5  
Dia/Oval Dim: 1.25  
Height: 2.9  
Temp Rating: 105°C



Wiring Diagram:

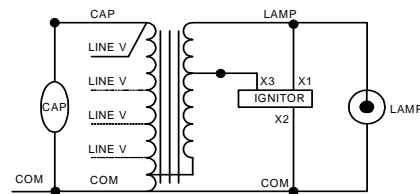


Fig. K

Ordering Information

Order Suffix	Description

Ignitor: LI551-H4



Ballast to Lamp Distance (BTL) = 2 feet  
Temp Rating: 105°C

Data is based upon tests performed by Advance Transformer in a controlled environment and representative of relative performance. Actual performance can vary depending on operating conditions. Specifications are subject to change without notice.

**ADVANCE TRANSFORMER CO.**

O'HARE INTERNATIONAL CENTER · 10275 WEST HIGGINS ROAD · ROSEMONT, IL 60018  
Customer Support/Technical Service: Phone: 800-372-3331 · Fax: 847-768-7768  
Corporate Offices: Phone: 800-322-2086

05/13/99