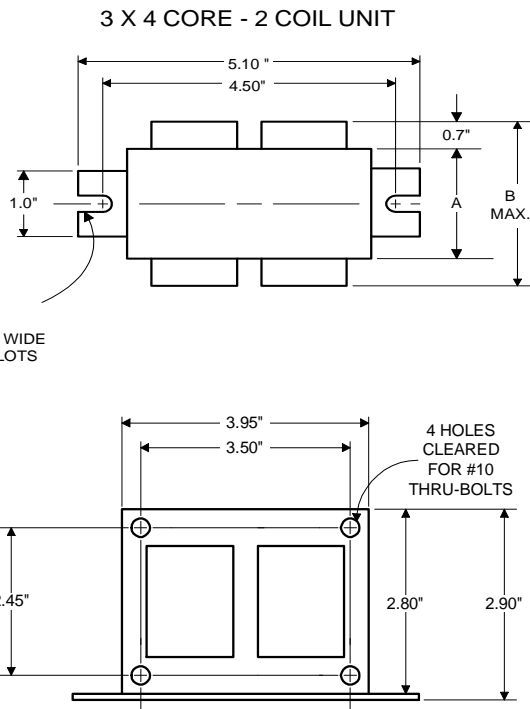




Low Pressure  
Sodium  
Lamp Ballast

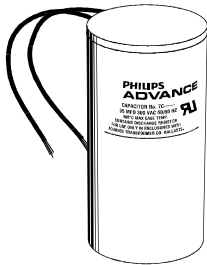
Catalog Number 71A0490  
For 55W L71  
60 Hz HX-HPF  
Status: Active

**DIMENSIONS AND DATA**



	120	208	240	277
INPUT VOLTS				
CIRCUIT TYPE	HX-HPF			
POWER FACTOR (min)	90%			
REGULATION				
Line Volts	±10%			
Lamp Watts	±5%			
LINE CURRENT (Amps)				
Operating.....	0.73	0.42	0.36	0.32
Open Circuit.....	2.35	1.39	1.18	0.98
Starting.....	0.80	0.46	0.39	0.36
UL TEMPERATURE RATINGS				
Insulation Class	H(180°C)			
Coil Temperature Code	1029			
MIN. AMBIENT STARTING TEMP.	-20°F or -30°C			
NOM. OPEN CIRCUIT VOLTAGE	480			
INPUT VOLTAGE AT LAMP DROPOUT.....	60	104	120	139
INPUT WATTS	80			
RECOMMENDED FUSE (Amps).....	6	4	3	3
CORE and COIL				
Dimension (A)	2.25			
Dimension (B)	3.50			
Weight (lbs.)	8			
Lead Lengths	12"			
CAPACITOR REQUIREMENT				
Microfarads	14.0			
Volts (min.)	240			
Fault Current Withstand (amps)				
60 Hz TEST PROCEDURES (Refer to Advance Test Procedure for HID Ballasts - Form 1270)				
High Potential Test (Volts)				
1 minute	2000			
2 seconds	2500			
Open Circuit Voltage Test (Volts)	430-530			
Short-Circuit Current Test (Amps)				
Secondary Current	0.50-0.70			
Input Current.....	0.36-0.54	0.23-0.34	0.20-0.30	0.16-0.25

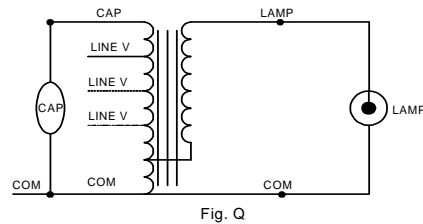
Capacitor: 7C140M33-R



Capacitance: 14  
Dia/Oval Dim: 1.5  
Height: 2.9  
Temp Rating: 105°C



Wiring Diagram:



**Ordering Information**

Order Suffix	Description

Ignitor: NA

This ballast does not require the use of an ignitor.

Data is based upon tests performed by Advance Transformer in a controlled environment and representative of relative performance. Actual performance can vary depending on operating conditions. Specifications are subject to change without notice.