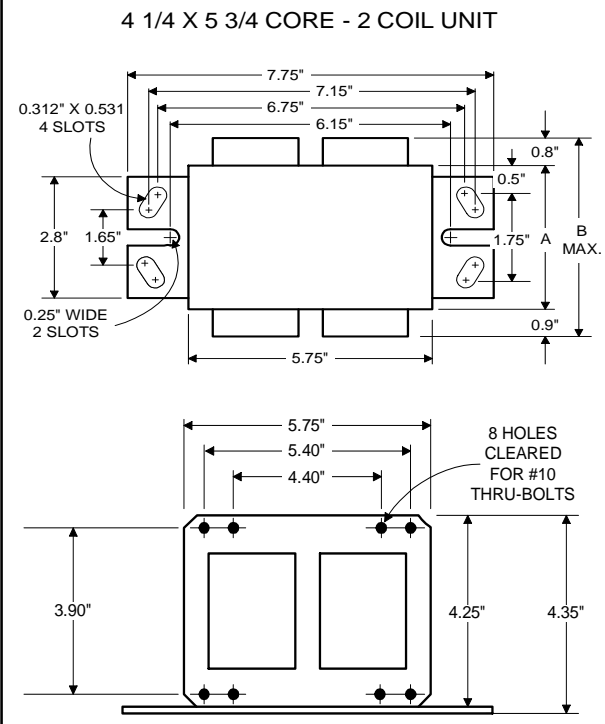




Low Pressure
Sodium
Lamp Ballast

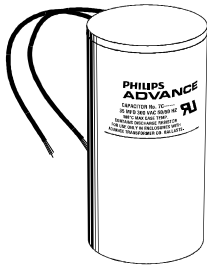
Catalog Number 71A0790
For 180W L74
60 Hz HX-HPF
Status: Active

DIMENSIONS AND DATA

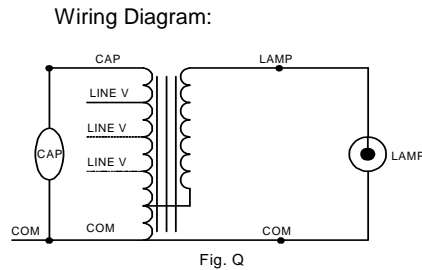


	120	208	240	277
INPUT VOLTS				
CIRCUIT TYPE	HX-HPF			
POWER FACTOR (min)	90%			
REGULATION				
Line Volts	±5%			
Lamp Watts	±10%			
LINE CURRENT (Amps)				
Operating.....	1.80	1.00	0.89	0.75
Open Circuit.....	5.28	2.82	2.65	2.25
Starting.....	2.15	1.20	1.06	0.92
UL TEMPERATURE RATINGS				
Insulation Class	H(180°C)			
Coil Temperature Code	1029			
MIN. AMBIENT STARTING TEMP.	-20°F or -30°C			
NOM. OPEN CIRCUIT VOLTAGE	695			
INPUT VOLTAGE AT LAMP DROPOUT.....	86	165	180	205
INPUT WATTS	208			
RECOMMENDED FUSE (Amps).....	15	7	7	6
CORE and COIL				
Dimension (A)	2.35			
Dimension (B)	4.00			
Weight (lbs.)	15.25			
Lead Lengths	12"			
CAPACITOR REQUIREMENT				
Microfarads	16.0			
Volts (min.)	330			
Fault Current Withstand (amps)				
60 Hz TEST PROCEDURES (Refer to Advance Test Procedure for HID Ballasts - Form 1270)				
High Potential Test (Volts)				
1 minute	2000			
2 seconds	2500			
Open Circuit Voltage Test (Volts)	625-765			
Short-Circuit Current Test (Amps)				
Secondary Current	0.92-1.12			
Input Current.....	0.72-1.08	0.35-0.53	0.36-0.55	0.30-0.45

Capacitor: 7C160P40



Capacitance: 16
Dia/Oval Dim: 1.75
Height: 3.75
Temp Rating: 105°C



Ordering Information

Order Suffix	Description

Ignitor: NA

This ballast does not require the use of an ignitor.

Data is based upon tests performed by Advance Transformer in a controlled environment and representative of relative performance. Actual performance can vary depending on operating conditions. Specifications are subject to change without notice.