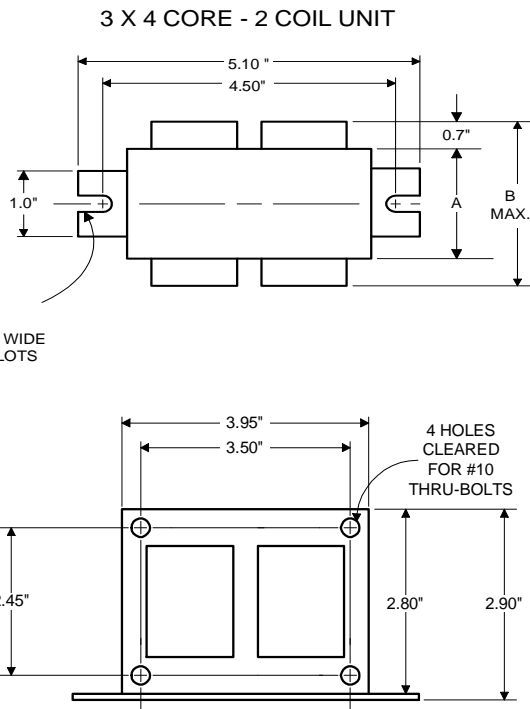




Metal
Halide
Lamp Ballast

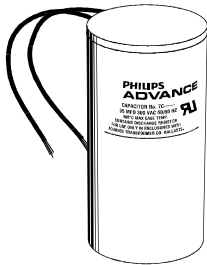
Catalog Number 71A5181
For 50W M110
60 Hz HX-HPF
Status: Active

DIMENSIONS AND DATA



INPUT VOLTS	120	277			
CIRCUIT TYPE	HX-HPF				
POWER FACTOR (min)	90%				
REGULATION					
Line Volts	±5%				
Lamp Watts	±10%				
LINE CURRENT (Amps)					
Operating.....	0.58	0.25			
Open Circuit.....	1.20	0.51			
Starting.....	0.46	0.20			
UL TEMPERATURE RATINGS					
Insulation Class	H(180°C)				
Coil Temperature Code	1029				
MIN. AMBIENT STARTING TEMP.	-20°F or -30°C				
NOM. OPEN CIRCUIT VOLTAGE	254				
INPUT VOLTAGE AT LAMP DROPOUT.....	90	208			
INPUT WATTS	67				
RECOMMENDED FUSE (Amps).....	3	2			
CORE and COIL					
Dimension (A)	1.18				
Dimension (B)	2.23				
Weight (lbs.)	4				
Lead Lengths	12"				
CAPACITOR REQUIREMENT					
Microfarads	6.0				
Volts (min.)	280				
Fault Current Withstand (amps)					
60 Hz TEST PROCEDURES (Refer to Advance Test Procedure for HID Ballasts - Form 1270)					
High Potential Test (Volts)					
1 minute	2000				
2 seconds	2500				
Open Circuit Voltage Test (Volts)	228-280				
Short-Circuit Current Test (Amps)					
Secondary Current	0.70-0.88				
Input Current.....	0.42-0.65	0.16-0.27	-	-	-

Capacitor: 7C060L30RA



Capacitance: 6
Dia/Oval Dim: 1.25
Height: 2.75
Temp Rating: 105°C

Wiring Diagram:

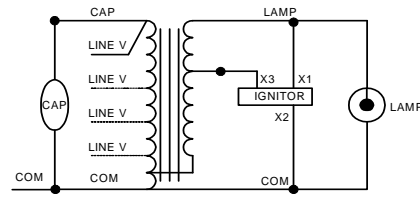


Fig. K

Ordering Information

Order Suffix	Description

Ignitor: LI533-H4



Red (X1)
White (X2)
Blue (X3)

Ballast to Lamp Distance (BTL) = 10 feet
Temp Rating: 105°C

Data is based upon tests performed by Advance Transformer in a controlled environment and representative of relative performance. Actual performance can vary depending on operating conditions. Specifications are subject to change without notice.

ADVANCE TRANSFORMER CO.

O'HARE INTERNATIONAL CENTER · 10275 WEST HIGGINS ROAD · ROSEMONT, IL 60018
Customer Support/Technical Service: Phone: 800-372-3331 · Fax: 847-768-7768
Corporate Offices: Phone: 800-322-2086

07/31/09