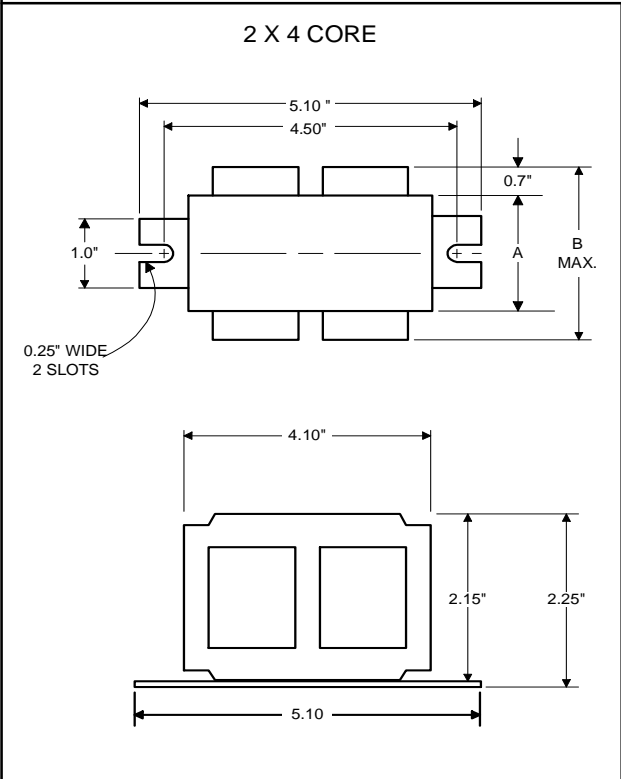




Metal
Halide
Lamp Ballast

Catalog Number 71A5205P
For 70W M98
60 Hz HX-NPF
Status: Active

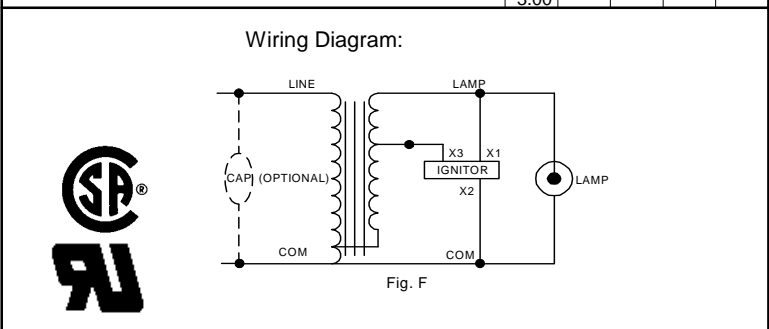
DIMENSIONS AND DATA



INPUT VOLTS	120				
CIRCUIT TYPE	HX-NPF				
POWER FACTOR (min)	35%				
REGULATION					
Line Volts	±5%				
Lamp Watts	±10%				
LINE CURRENT (Amps)					
Operating.....	2.10				
Open Circuit.....	0.30				
Starting.....	2.50				
UL TEMPERATURE RATINGS					
Insulation Class	H(180°C)				
Coil Temperature Code	1029				
MIN. AMBIENT STARTING TEMP.	-20°F or -30°C				
NOM. OPEN CIRCUIT VOLTAGE	255				
INPUT VOLTAGE AT LAMP DROPOUT.....	90				
INPUT WATTS	94				
RECOMMENDED FUSE (Amps).....	6				
CORE and COIL					
Dimension (A)	1.50				
Dimension (B)	2.65				
Weight (lbs.)	3.5				
Lead Lengths	12"				
CAPACITOR REQUIREMENT					
Microfarads					
Volts (min.)					
Fault Current Withstand (amps)					
60 Hz TEST PROCEDURES (Refer to Advance Test Procedure for HID Ballasts - Form 1270)					
High Potential Test (Volts)					
1 minute	2000				
2 seconds	2500				
Open Circuit Voltage Test (Volts)	230-280				
Short-Circuit Current Test (Amps)					
Secondary Current	0.85-1.25				
Input Current.....	2.00-3.00				

Capacitor:

This ballast does not require the use of a capacitor.



Ignitor: LI533-H4

Ballast to Lamp Distance (BTL) = 10 feet
Temp Rating: 105°C

Ordering Information	
Order Suffix	Description
600.P	Thermally Protected Ballast with Ignitor, No Capacitor
610.P	Thermally Protected Ballast w/Welded Bracket, Ignitor, No Capacitor

Data is based upon tests performed by Advance Transformer in a controlled environment and representative of relative performance. Actual performance can vary depending on operating conditions. Specifications are subject to change without notice.