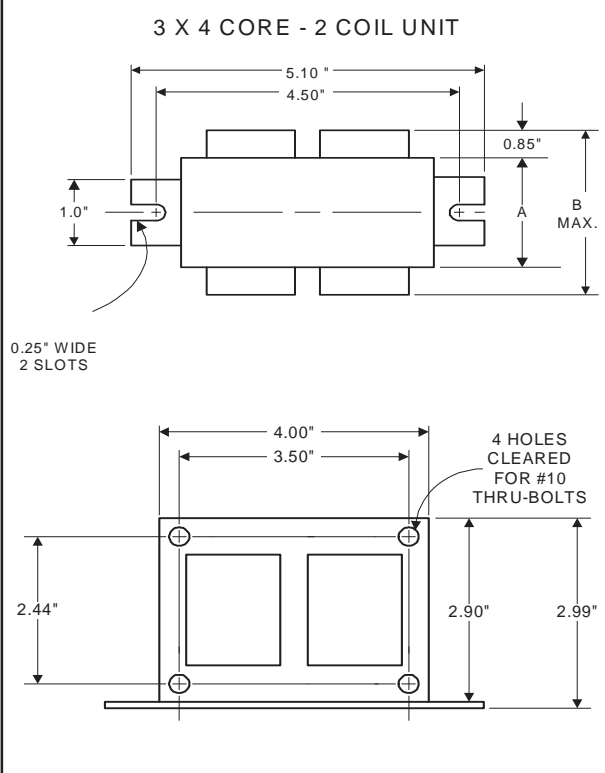




Metal  
Halide  
Lamp Ballast

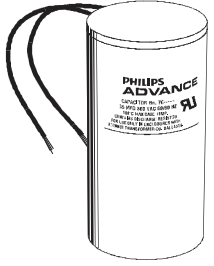
Catalog Number 71A5292  
For 70W M98/M143  
60 Hz HX-HPF  
Status: Active

**DIMENSIONS AND DATA**

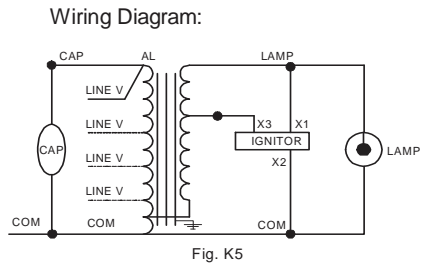


	120	208	240	277
INPUT VOLTS				
CIRCUIT TYPE	HX-HPF			
POWER FACTOR (min)	90%			
REGULATION				
Line Volts	±5%			
Lamp Watts	±7%			
LINE CURRENT (Amps)				
Operating.....	0.85	0.49	0.42	0.37
Open Circuit.....	1.66	0.97	0.83	0.73
Starting.....	0.71	0.41	0.40	0.30
UL TEMPERATURE RATINGS				
Insulation Class	H(180°C)			
Coil Temperature Code	1029			
MIN. AMBIENT STARTING TEMP.	-20°F or -30°C			
NOM. OPEN CIRCUIT VOLTAGE	255			
INPUT VOLTAGE AT LAMP DROPOUT.....	90	156	180	208
INPUT WATTS	92			
RECOMMENDED FUSE (Amps).....	4	3	2	2
CORE and COIL				
Dimension (A)	1.44			
Dimension (B)	2.88			
Weight (lbs.)	4.7			
Lead Lengths	12"			
CAPACITOR REQUIREMENT				
Microfarads	8.0			
Volts (min.)	280			
Fault Current Withstand (amps)				
60 HZ TEST PROCEDURES (Refer to Advance Test Procedure for HID Ballasts - Form 1270)				
High Potential Test (Volts)				
1 minute	2000			
2 seconds	2500			
Open Circuit Voltage Test (Volts)	230-280			
Short-Circuit Current Test (Amps)				
Secondary Current	1.03-1.26			
Input Current.....	0.65-0.98	0.40-0.60	0.32-0.49	0.29-0.44

Capacitor: 7C080L30RA



Capacitance: 8  
Dia/Oval Dim: 1.25  
Height: 2.75  
Temp Rating: 105°C



**Ordering Information**

Order Suffix	Description

Ignitor: LI533-H4



Ballast to Lamp Distance (BTL) = 15 feet  
Temp Rating: 105°C

Data is based upon tests performed by Advance Transformer in a controlled environment and representative of relative performance. Actual performance can vary depending on operating conditions. Specifications are subject to change without notice.