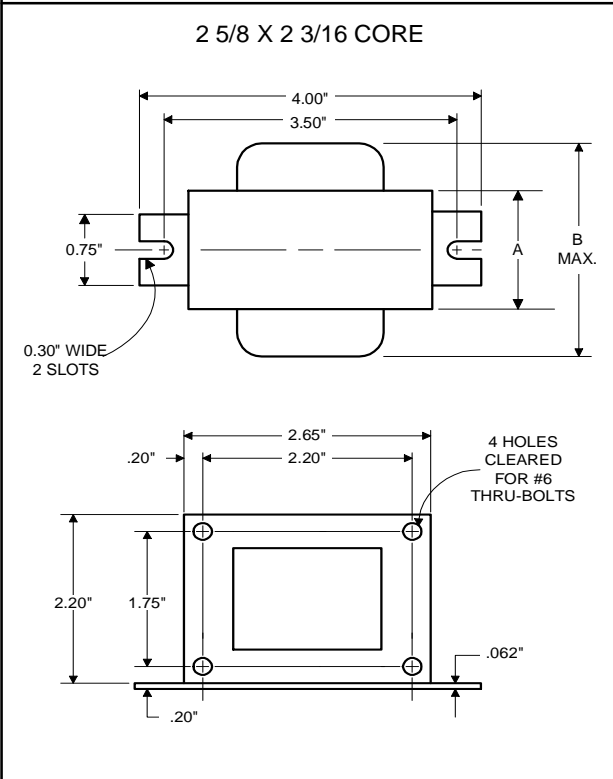




Metal
Halide
Lamp Ballast

Catalog Number 71A5337P
For 100W M90/M140
60 Hz R-HPF
Status: Active

DIMENSIONS AND DATA



| | | | | | |
|--|----------------|---|---|---|---|
| INPUT VOLTS | 277 | | | | |
| CIRCUIT TYPE | R-HPF | | | | |
| POWER FACTOR (min) | 90% | | | | |
| REGULATION | | | | | |
| Line Volts | ±5% | | | | |
| Lamp Watts | ±10% | | | | |
| LINE CURRENT (Amps) | | | | | |
| Operating..... | 0.45 | | | | |
| Open Circuit..... | 1.05 | | | | |
| Starting..... | 0.70 | | | | |
| UL TEMPERATURE RATINGS | | | | | |
| Insulation Class | H(180°C) | | | | |
| Coil Temperature Code | 1029 | A | | | |
| MIN. AMBIENT STARTING TEMP. | -20°F or -30°C | | | | |
| NOM. OPEN CIRCUIT VOLTAGE | 277 | | | | |
| INPUT VOLTAGE AT LAMP DROPOUT..... | 190 | | | | |
| INPUT WATTS | 118 | | | | |
| RECOMMENDED FUSE (Amps)..... | 3 | | | | |
| CORE and COIL | | | | | |
| Dimension (A) | 1.65 | | | | |
| Dimension (B) | 2.75 | | | | |
| Weight (lbs.) | 3.2 | | | | |
| Lead Lengths | 12" | | | | |
| CAPACITOR REQUIREMENT | | | | | |
| Microfarads | 10.0 | | | | |
| Volts (min.) | 280 | | | | |
| Fault Current Withstand (amps) | | | | | |
| 60 Hz TEST PROCEDURES (Refer to Advance Test Procedure for HID Ballasts - Form 1270) | | | | | |
| High Potential Test (Volts) | | | | | |
| 1 minute | 2000 | | | | |
| 2 seconds | 2500 | | | | |
| Open Circuit Voltage Test (Volts) | 260-290 | | | | |
| Short-Circuit Current Test (Amps) | | | | | |
| Secondary Current | 1.05-1.55 | | | | |
| Input Current..... | 0.25-0.35 | - | - | - | - |

Capacitor: 7C100M30RA



Capacitance: 10
Dia/Oval Dim: 1.65
Height: 2.75
Temp Rating: 105°C

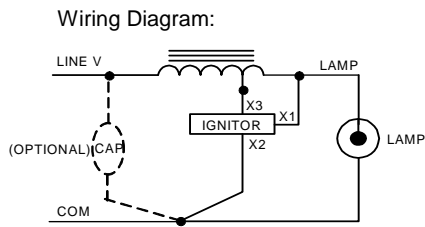


Fig. G

Ordering Information

| Order Suffix | Description |
|--------------|-------------|
| | |

Ignitor: LI533-H4



Red (X1)
White (X2)
Blue (X3)

Ballast to Lamp Distance (BTL) = 2 feet
Temp Rating: 105°C

Data is based upon tests performed by Advance Transformer in a controlled environment and representative of relative performance. Actual performance can vary depending on operating conditions. Specifications are subject to change without notice.