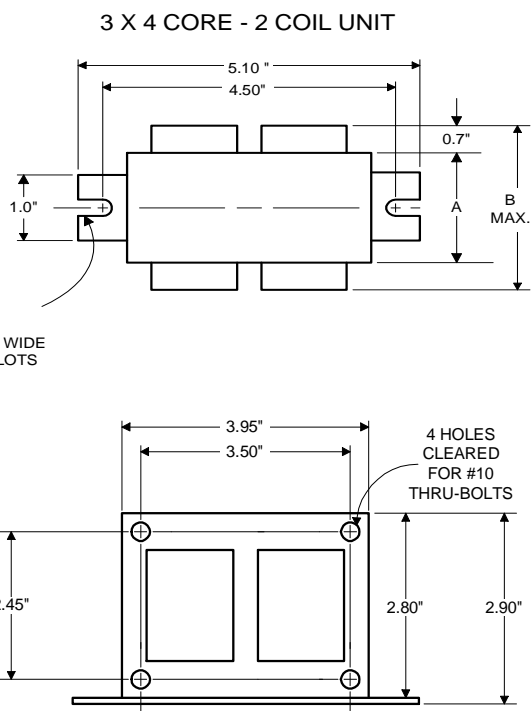




Metal Halide Lamp Ballast

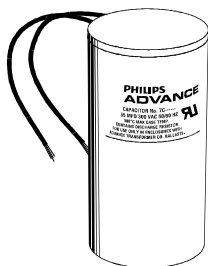
Catalog Number 71A5443T  
For 150W M102/M142 (PS)  
60 Hz SUPER-CWA  
Status: Active

DIMENSIONS AND DATA

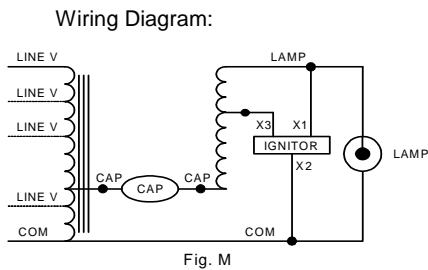


INPUT VOLTS	480				
CIRCUIT TYPE	SUPER-CWA				
POWER FACTOR (min)	90%				
REGULATION					
Line Volts	±10%				
Lamp Watts	±10%				
LINE CURRENT (Amps)					
Operating.....	0.39				
Open Circuit.....	0.33				
Starting.....	0.70				
UL TEMPERATURE RATINGS					
Insulation Class	H(180°C)				
Coil Temperature Code	1029				
MIN. AMBIENT STARTING TEMP.	-20°F or -30°C				
NOM. OPEN CIRCUIT VOLTAGE	212				
INPUT VOLTAGE AT LAMP DROPOUT.....	240				
INPUT WATTS	185				
RECOMMENDED FUSE (Amps).....	5				
CORE and COIL					
Dimension (A)	2.40				
Dimension (B)	3.75				
Weight (lbs.)	7.5				
Lead Lengths	12"				
CAPACITOR REQUIREMENT					
Microfarads	16.0				
Volts (min.)	300				
Fault Current Withstand (amps)					
60 Hz TEST PROCEDURES (Refer to Advance Test Procedure for HID Ballasts - Form 1270)					
High Potential Test (Volts)					
1 minute	1500				
2 seconds	2500				
Open Circuit Voltage Test (Volts)	192-231				
Short-Circuit Current Test (Amps)					
Secondary Current	1.97-2.40				
Input Current.....	0.13-0.17				

Capacitor: 7C160M30RA



Capacitance: 16  
Dia/Oval Dim: 1.65  
Height: 2.75  
Temp Rating: 105°C



Ordering Information

Order Suffix	Description
--------------	-------------

Ignitor: LI501-J4



Red (X1)  
White (X2)  
Blue (X3)

Ballast to Lamp Distance (BTL) = 5 feet  
Temp Rating: 105°C

Data is based upon tests performed by Advance Transformer in a controlled environment and representative of relative performance. Actual performance can vary depending on operating conditions. Specifications are subject to change without notice.