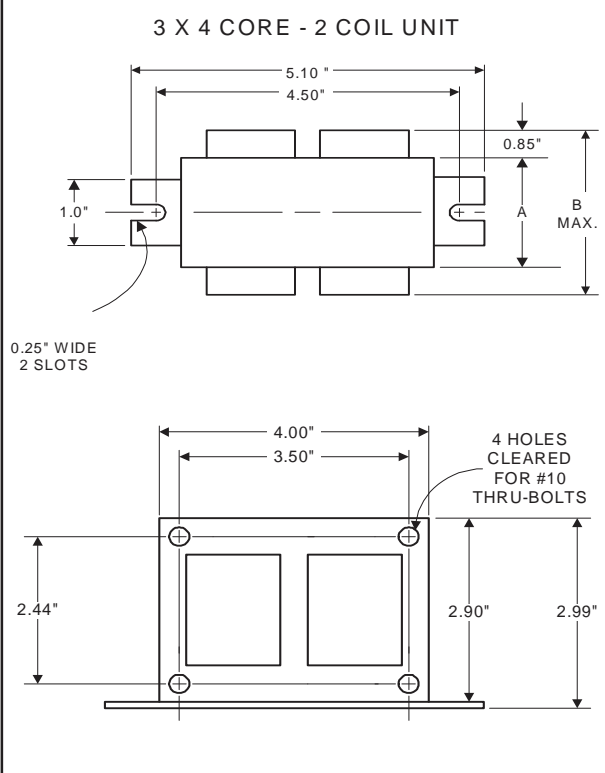




Metal
Halide
Lamp Ballast

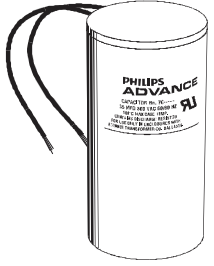
Catalog Number 71A5492
For 150W M102/M142
60 Hz HX-HPF
Status: Active

DIMENSIONS AND DATA

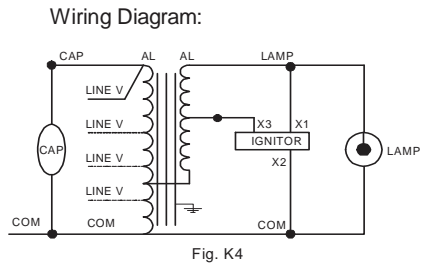


| | 120 | 208 | 240 | 277 |
|--|----------------|-----------|-----------|-----------|
| INPUT VOLTS | | | | |
| CIRCUIT TYPE | HX-HPF | | | |
| POWER FACTOR (min) | 90% | | | |
| REGULATION | | | | |
| Line Volts | ±5% | | | |
| Lamp Watts | ±12% | | | |
| LINE CURRENT (Amps) | | | | |
| Operating..... | 1.60 | 0.96 | 0.80 | 0.70 |
| Open Circuit..... | 3.50 | 2.04 | 1.73 | 1.52 |
| Starting..... | 1.75 | 1.30 | 0.85 | 0.77 |
| UL TEMPERATURE RATINGS | | | | |
| Insulation Class | H(180°C) | | | |
| Coil Temperature Code | 1029 | | | |
| MIN. AMBIENT STARTING TEMP. | -20°F or -30°C | | | |
| NOM. OPEN CIRCUIT VOLTAGE | 250 | | | |
| INPUT VOLTAGE AT LAMP DROPOUT..... | 90 | 156 | 180 | 208 |
| INPUT WATTS | 185 | | | |
| RECOMMENDED FUSE (Amps)..... | 10 | 5 | 5 | 4 |
| CORE and COIL | | | | |
| Dimension (A) | 2.25 | | | |
| Dimension (B) | 3.90 | | | |
| Weight (lbs.) | 6.32 | | | |
| Lead Lengths | 12" | | | |
| CAPACITOR REQUIREMENT | | | | |
| Microfarads | 16.0 | | | |
| Volts (min.) | 280 | | | |
| Fault Current Withstand (amps) | | | | |
| 60 Hz TEST PROCEDURES (Refer to Advance Test Procedure for HID Ballasts - Form 1270) | | | | |
| High Potential Test (Volts) | | | | |
| 1 minute | 2000 | | | |
| 2 seconds | 2500 | | | |
| Open Circuit Voltage Test (Volts) | 235-290 | | | |
| Short-Circuit Current Test (Amps) | | | | |
| Secondary Current | 2.05-2.55 | | | |
| Input Current..... | 1.03-1.41 | 0.61-0.92 | 0.49-0.74 | 0.44-0.67 |

Capacitor: 7C160M30RA



Capacitance: 16
Dia/Oval Dim: 1.65
Height: 2.75
Temp Rating: 105°C



Ordering Information

| Order Suffix | Description |
|--------------|-------------|
| | |

Ignitor:

LI533-H4



Ballast to Lamp Distance (BTL) = 10 feet
Temp Rating: 105°C

Data is based upon tests performed by Advance Transformer in a controlled environment and representative of relative performance. Actual performance can vary depending on operating conditions. Specifications are subject to change without notice.