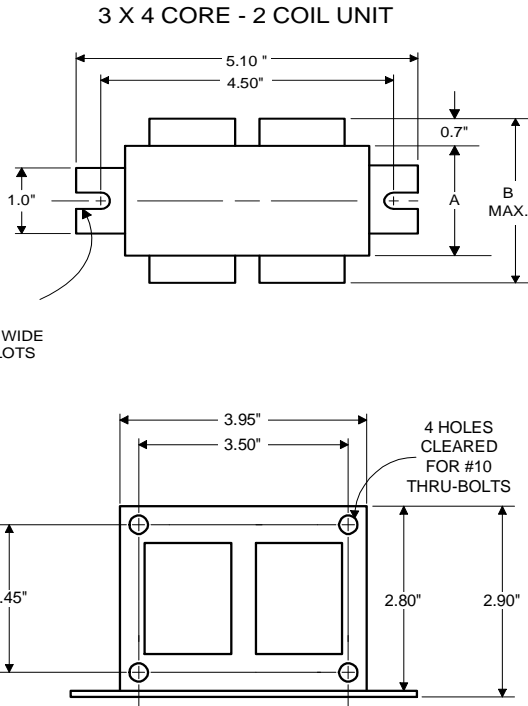




Metal Halide Lamp Ballast

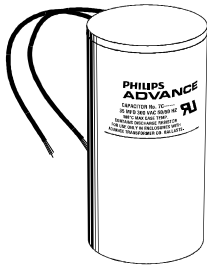
Catalog Number 71A55A3
For 175W M137/M152 (P.S.)
60 Hz SUPER-CWA
Status: Active

DIMENSIONS AND DATA



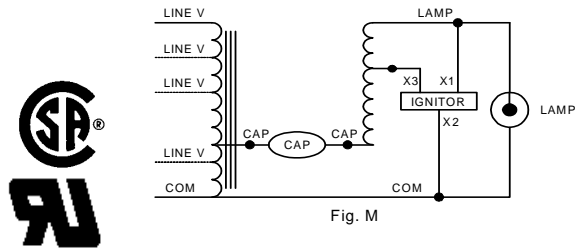
INPUT VOLTS	120	277	347		
CIRCUIT TYPE	SUPER-CWA				
POWER FACTOR (min)	09%				
REGULATION					
Line Volts	±10%				
Lamp Watts	±10%				
LINE CURRENT (Amps)					
Operating.....	1.80	0.80	0.65		
Open Circuit.....	1.90	0.85	0.70		
Starting.....	0.70	0.30	0.25		
UL TEMPERATURE RATINGS					
Insulation Class	H(180°C)				
Coil Temperature Code	1029				
	C	C	C		
MIN. AMBIENT STARTING TEMP.	-20°F or -30°C				
NOM. OPEN CIRCUIT VOLTAGE	275				
INPUT VOLTAGE AT LAMP DROPOUT.....	60	138	174		
INPUT WATTS	208				
RECOMMENDED FUSE (Amps).....	5	3	2		
CORE and COIL					
Dimension (A)	2.24				
Dimension (B)	3.50				
Weight (lbs.)	7				
Lead Lengths	12"				
CAPACITOR REQUIREMENT					
Microfarads	11.0				
Volts (min.)	370				
Fault Current Withstand (amps)					
60 Hz TEST PROCEDURES (Refer to Advance Test Procedure for HID Ballasts - Form 1270)					
High Potential Test (Volts)					
1 minute	2000				
2 seconds	2500				
Open Circuit Voltage Test (Volts)	250-300				
Short-Circuit Current Test (Amps)					
Secondary Current	1.60-1.95				
Input Current.....	0.40-0.60	0.19-0.30	0.15-0.25	-	-

Capacitor: 7C110M40



Capacitance: 11
Dia/Oval Dim: 1.65
Height: 3.75
Temp Rating: 105°C

Wiring Diagram:



Ordering Information

Order Suffix	Description

Ignitor: LI533-H4



Ballast to Lamp Distance (BTL) = 2 feet
Temp Rating: 105°C

Data is based upon tests performed by Advance Transformer in a controlled environment and representative of relative performance. Actual performance can vary depending on operating conditions. Specifications are subject to change without notice.