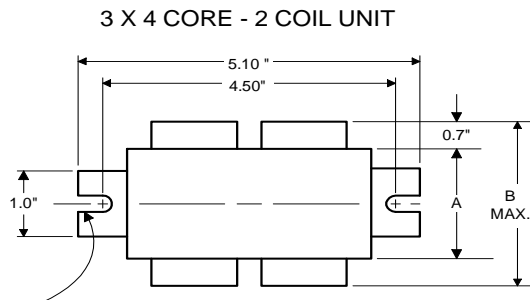




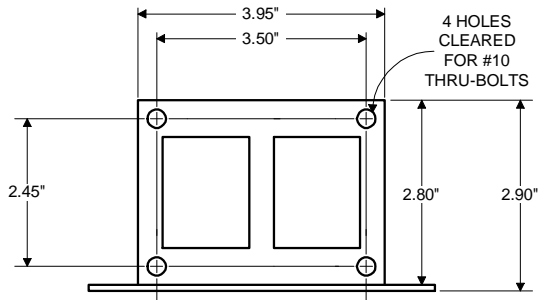
Metal Halide Lamp Ballast

Catalog Number 71A5692
For 200W M136 (Pulse Start)
60 Hz SUPER-CWA
Status: Active

DIMENSIONS AND DATA

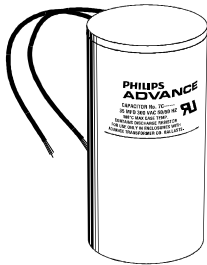


0.25" WIDE
2 SLOTS



INPUT VOLTS	120	208	240	277
CIRCUIT TYPE	SUPER-CWA			
POWER FACTOR (min)	90%			
REGULATION				
Line Volts	±10%			
Lamp Watts	±10%			
LINE CURRENT (Amps)				
Operating.....	2.00	1.20	1.00	0.85
Open Circuit.....	2.00	1.20	1.00	0.85
Starting.....	0.75	0.40	0.35	0.30
UL TEMPERATURE RATINGS				
Insulation Class	H(180°C)			
Coil Temperature Code	1029			
	A	B	A	A
MIN. AMBIENT STARTING TEMP.	-20°F or -30°C			
NOM. OPEN CIRCUIT VOLTAGE	240			
INPUT VOLTAGE AT LAMP DROPOUT.....	60	104	120	138
INPUT WATTS	232			
RECOMMENDED FUSE (Amps).....	6	4	3	3
CORE and COIL				
Dimension (A)	2.45			
Dimension (B)	3.60			
Weight (lbs.)	8			
Lead Lengths	12"			
CAPACITOR REQUIREMENT				
Microfarads	15.0			
Volts (min.)	330			
Fault Current Withstand (amps)				
60 Hz TEST PROCEDURES (Refer to Advance Test Procedure for HID Ballasts - Form 1270)				
High Potential Test (Volts)				
1 minute	2000			
2 seconds	2500			
Open Circuit Voltage Test (Volts)	215-265			
Short-Circuit Current Test (Amps)				
Secondary Current	1.90-2.30			
Input Current.....	0.45-0.70	0.25-0.40	0.22-0.35	0.20-0.30

Capacitor: 7C150M33



Capacitance: 15
Dia/Oval Dim: 1.65
Height: 3.75
Temp Rating: 105°C

Wiring Diagram:

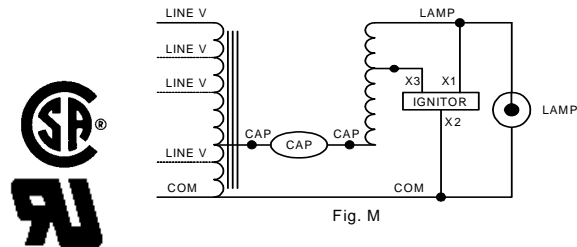


Fig. M

Ordering Information

Order Suffix	Description

Ignitor: LI533-H4



Red (X1)
White (X2)
Blue (X3)

Ballast to Lamp Distance (BTL) = 2 feet
Temp Rating: 105°C

Data is based upon tests performed by Advance Transformer in a controlled environment and representative of relative performance. Actual performance can vary depending on operating conditions. Specifications are subject to change without notice.

ADVANCE TRANSFORMER CO.

O'HARE INTERNATIONAL CENTER · 10275 WEST HIGGINS ROAD · ROSEMONT, IL 60018
Customer Support/Technical Service: Phone: 800-372-3331 · Fax: 847-768-7768
Corporate Offices: Phone: 800-322-2086

06/09/99