

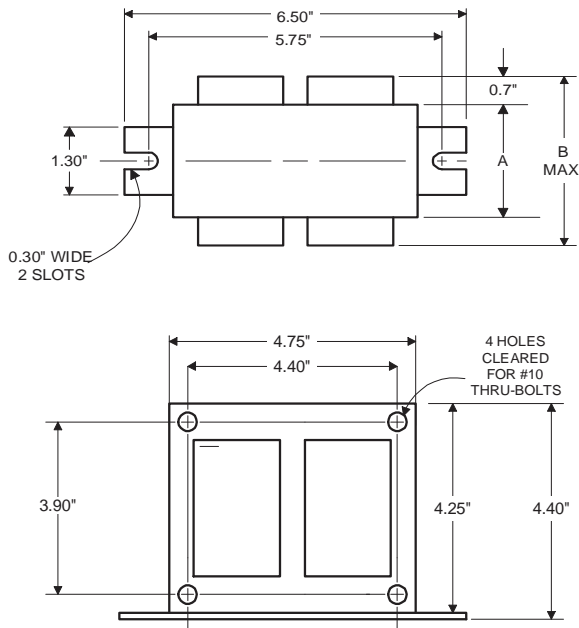


Metal
Halide
Lamp Ballast

Catalog Number 71A59A3-A
For 350W M131 (Pulse Start)
60 Hz SUPER-CWA
Status: Active

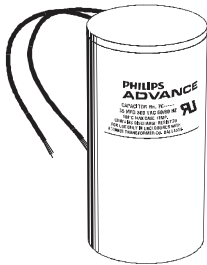
DIMENSIONS AND DATA

4 1/4 X 4 3/4 CORE - 2 COIL UNIT



INPUT VOLTS	120	277	347		
CIRCUIT TYPE	SUPER-CWA				
POWER FACTOR (min)	90%				
REGULATION					
Line Volts	±1000%				
Lamp Watts	±10%				
LINE CURRENT (Amps)					
Operating.....	3.40	1.50	1.20		
Open Circuit.....	2.60	1.10	0.90		
Starting.....	2.40	1.05	0.85		
UL TEMPERATURE RATINGS					
Insulation Class	N(200°C)				
Coil Temperature Code	1029				
MIN. AMBIENT STARTING TEMP.	-20°F or -30°C				
NOM. OPEN CIRCUIT VOLTAGE	280				
INPUT VOLTAGE AT LAMP DROPOUT.....	60	138	174		
INPUT WATTS	400				
RECOMMENDED FUSE (Amps).....	10	5	3		
CORE and COIL					
Dimension (A)	1.80				
Dimension (B)	3.65				
Weight (lbs.)	10.5				
Lead Lengths	12"				
CAPACITOR REQUIREMENT					
Microfarads	22.5				
Volts (min.)	345				
Fault Current Withstand (amps)					
60 Hz TEST PROCEDURES (Refer to Advance Test Procedure for HID Ballasts - Form 1270)					
High Potential Test (Volts)					
1 minute	2000				
2 seconds	25				
Open Circuit Voltage Test (Volts)	250-310				
Short-Circuit Current Test (Amps)					
Secondary Current	3.25-4.00				
Input Current.....	1.80-2.65	0.75-1.15	0.65-1.00	-	-

Capacitor: 7C225P40



Capacitance: 22.5
Dia/Oval Dim: 1.75
Height: 4.8
Temp Rating: 105°C



Wiring Diagram:

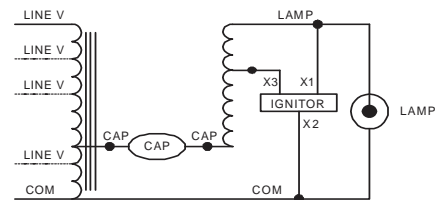
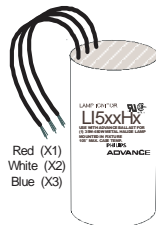


Fig. M

Ordering Information

Order Suffix	Description
--------------	-------------

Ignitor: LI533-H4



Ballast to Lamp Distance (BTL) = 2 feet
Temp Rating: 105°C

Data is based upon tests performed by Advance Transformer in a controlled environment and representative of relative performance. Actual performance can vary depending on operating conditions. Specifications are subject to change without notice.

ADVANCE TRANSFORMER CO.

O'HARE INTERNATIONAL CENTER · 10275 WEST HIGGINS ROAD · ROSEMONT, IL 60018
Customer Support/Technical Service: Phone: 800-372-3331 · Fax: 847-768-7768
Corporate Offices: Phone: 800-322-2086

02/06/07