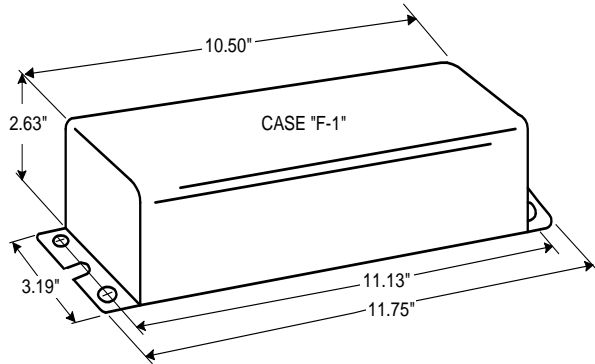




Metal
Halide
Lamp Ballast

Catalog Number 72C51C1
For 50W M110
60 Hz HX-HPF
Status: Active

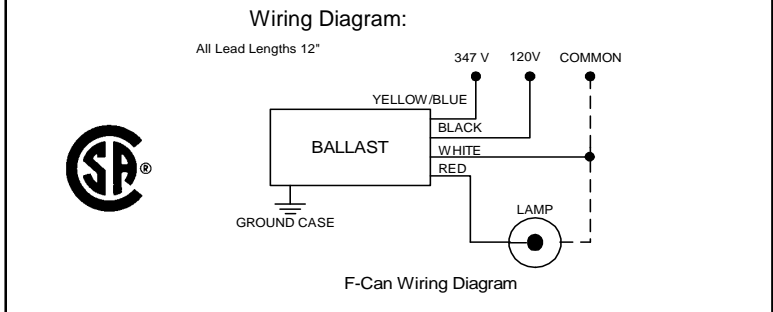
DIMENSIONS AND DATA



INPUT VOLTS	120	347			
CIRCUIT TYPE	HX-HPF				
POWER FACTOR (min)	90%				
REGULATION					
Line Volts	±5%				
Lamp Watts	±10%				
LINE CURRENT (Amps)					
Operating.....	0.60	0.20			
Open Circuit.....	1.60	0.55			
Starting.....	0.45	0.15			
UL TEMPERATURE RATINGS					
Insulation Class	A (105°C)				
Coil Temperature Code	1029				
MIN. AMBIENT STARTING TEMP.	-20°F or -30°C				
NOM. OPEN CIRCUIT VOLTAGE	277				
INPUT VOLTAGE AT LAMP DROPOUT.....	80	220			
INPUT WATTS	67				
RECOMMENDED FUSE (Amps).....	4	2			
CORE and COIL					
Dimension (A)	9				
Dimension (B)	12"				
Weight (lbs.)					
Lead Lengths	12"				
CAPACITOR REQUIREMENT					
Microfarads					
Volts (min.)					
Fault Current Withstand (amps)					
60 Hz TEST PROCEDURES (Refer to Advance Test Procedure for HID Ballasts - Form 1270)					
High Potential Test (Volts)					
1 minute	1700				
2 seconds	2100				
Open Circuit Voltage Test (Volts)	250-305				
Short-Circuit Current Test (Amps)					
Secondary Current	0.70-0.90				
Input Current.....	0.40-0.60	0.15-0.20	-	-	-

Capacitor:

The capacitor is included as part of the potted assembly.



Ordering Information

Order Suffix	Description
IN CAN	

Ignitor: IN CAN

The ignitor is included as part of the potted assembly.

Ballast to Lamp Distance (BTL) = 20 feet
Temp Rating: 90°C

Data is based upon tests performed by Advance Transformer in a controlled environment and representative of relative performance. Actual performance can vary depending on operating conditions. Specifications are subject to change without notice.

ADVANCE TRANSFORMER CO.

O'HARE INTERNATIONAL CENTER · 10275 WEST HIGGINS ROAD · ROSEMONT, IL 60018
Customer Support/Technical Service: Phone: 800-372-3331 · Fax: 847-768-7768
Corporate Offices: Phone: 800-322-2086

01/25/00