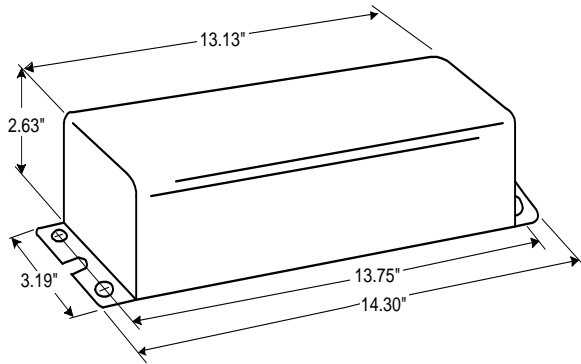




Metal
Halide
Lamp Ballast

Catalog Number 72C5481
For 150W M81
60 Hz HX-HPF
Status: Active

DIMENSIONS AND DATA



INPUT VOLTS	120	277			
CIRCUIT TYPE	HX-HPF				
POWER FACTOR (min)	90%				
REGULATION					
Line Volts	±5%				
Lamp Watts	±12%				
LINE CURRENT (Amps)					
Operating.....	1.60	0.70			
Open Circuit.....	3.65	1.60			
Starting.....	1.75	0.75			
UL TEMPERATURE RATINGS					
Insulation Class	A (105°C)				
Coil Temperature Code	1029				
MIN. AMBIENT STARTING TEMP.	-20°F or -30°C				
NOM. OPEN CIRCUIT VOLTAGE	240				
INPUT VOLTAGE AT LAMP DROPOUT.....	72	166			
INPUT WATTS	180				
RECOMMENDED FUSE (Amps).....	10	4			
CORE and COIL					
Dimension (A)	13				
Dimension (B)	12"				
Weight (lbs.)	13				
Lead Lengths	12"				
CAPACITOR REQUIREMENT					
Microfarads					
Volts (min.)					
Fault Current Withstand (amps)					
60 Hz TEST PROCEDURES (Refer to Advance Test Procedure for HID Ballasts - Form 1270)					
High Potential Test (Volts)					
1 minute	1600				
2 seconds	2000				
Open Circuit Voltage Test (Volts)	215-265				
Short-Circuit Current Test (Amps)					
Secondary Current	2.15-2.65				
Input Current.....	1.00-1.50	0.40-0.65	-	-	-

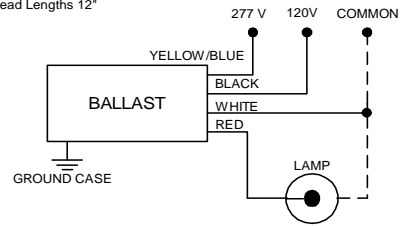
Capacitor:

The capacitor is included as part of the potted assembly.



Wiring Diagram:

All Lead Lengths 12"



F-Can Wiring Diagram

Ordering Information

Order Suffix

Description

Ignitor: IN CAN

The ignitor is included as part of the potted assembly.

Ballast to Lamp Distance (BTL) = 10 feet
Temp Rating: 90°C

Data is based upon tests performed by Advance Transformer in a controlled environment and representative of relative performance. Actual performance can vary depending on operating conditions. Specifications are subject to change without notice.

ADVANCE TRANSFORMER CO.

O'HARE INTERNATIONAL CENTER · 10275 WEST HIGGINS ROAD · ROSEMONT, IL 60018
Customer Support/Technical Service: Phone: 800-372-3331 · Fax: 847-768-7768
Corporate Offices: Phone: 800-322-2086

09/03/99