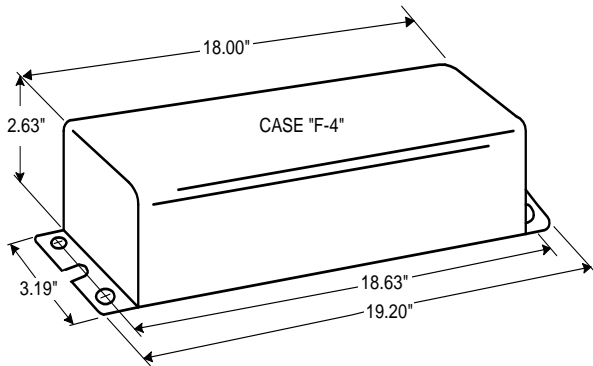




Metal  
Halide  
Lamp Ballast

Catalog Number 72C6182  
For 400W M135/M155 (P.S.)  
60 Hz CWA  
Status: Active

**DIMENSIONS AND DATA**



INPUT VOLTS	120	277			
CIRCUIT TYPE	CWA				
POWER FACTOR (min)	90%				
REGULATION					
Line Volts	±10%				
Lamp Watts	±10%				
LINE CURRENT (Amps)					
Operating.....	4.10	1.80			
Open Circuit.....	3.90	1.70			
Starting.....	2.90	1.30			
UL TEMPERATURE RATINGS					
Insulation Class	A (105°C)				
Coil Temperature Code	1029	A	A		
MIN. AMBIENT STARTING TEMP.	-20°F or -30°C				
NOM. OPEN CIRCUIT VOLTAGE	310				
INPUT VOLTAGE AT LAMP DROPOUT.....	65	160			
INPUT WATTS	465				
RECOMMENDED FUSE (Amps).....	10	4			
CORE and COIL					
Dimension (A)					
Dimension (B)					
Weight (lbs.)	24				
Lead Lengths	12"				
CAPACITOR REQUIREMENT					
Microfarads					
Volts (min.)					
Fault Current Withstand (amps)					
60 Hz TEST PROCEDURES (Refer to Advance Test Procedure for HID Ballasts - Form 1270)					
High Potential Test (Volts)					
1 minute	1500				
2 seconds	2500				
Open Circuit Voltage Test (Volts)	280-340				
Short-Circuit Current Test (Amps)					
Secondary Current	3.25-4.10				
Input Current.....	2.20-3.30	0.95-1.45	-	-	-

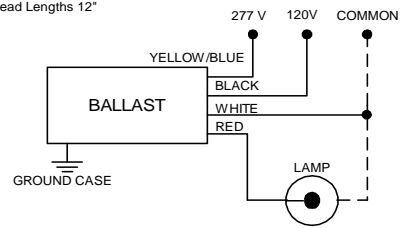
Capacitor:

The capacitor is included as part of the potted assembly.



**Wiring Diagram:**

All Lead Lengths 12"



F-Can Wiring Diagram

**Ordering Information**

Order Suffix

Description

Ignitor: IN CAN

The ignitor is included as part of the potted assembly.

Ballast to Lamp Distance (BTL) = 50 feet  
Temp Rating: 90°C

Data is based upon tests performed by Advance Transformer in a controlled environment and representative of relative performance. Actual performance can vary depending on operating conditions. Specifications are subject to change without notice.

**ADVANCE TRANSFORMER CO.**

O'HARE INTERNATIONAL CENTER · 10275 WEST HIGGINS ROAD · ROSEMONT, IL 60018  
Customer Support/Technical Service: Phone: 800-372-3331 · Fax: 847-768-7768  
Corporate Offices: Phone: 800-322-2086

05/25/10