

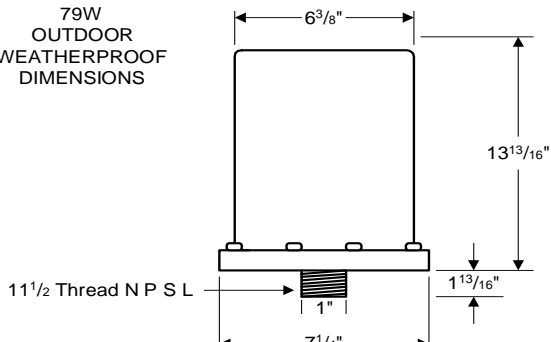


High Pressure  
Sodium  
Lamp Ballast

Catalog Number 79W8793  
For 1000W S52  
60 Hz CWA  
Status: Active

**DIMENSIONS AND DATA**

79W  
OUTDOOR  
WEATHERPROOF  
DIMENSIONS



INPUT VOLTS	120	208	240	277	
CIRCUIT TYPE	CWA				
POWER FACTOR (min)	90%				
REGULATION	±10%				
Line Volts	WITHIN TRAPEZOID				
Lamp Watts					
LINE CURRENT (Amps)					
Operating.....	9.50	5.50	4.75	4.15	
Open Circuit.....	4.80	2.70	2.40	2.20	
Starting.....	6.40	3.80	3.20	2.80	
UL TEMPERATURE RATINGS					
Insulation Class	H(180°C)				
Coil Temperature Code	1029				
MIN. AMBIENT STARTING TEMP.	-40°F or -40°C				
NOM. OPEN CIRCUIT VOLTAGE	435				
INPUT VOLTAGE AT LAMP DROPOUT.....	90	156	180	208	
INPUT WATTS	1100				
RECOMMENDED FUSE (Amps).....	25	15	10	10	
CORE and COIL					
Dimension (A)					
Dimension (B)					
Weight (lbs.)	54				
Lead Lengths	10"				
CAPACITOR REQUIREMENT					
Microfarads					
Volts (min.)					
Fault Current Withstand (amps)					
60 Hz TEST PROCEDURES (Refer to Advance Test Procedure for HID Ballasts - Form 1270)					
High Potential Test (Volts)					
1 minute	2000				
2 seconds	2500				
Open Circuit Voltage Test (Volts)	395-485				
Short-Circuit Current Test (Amps)					
Secondary Current	6.40-7.80				
Input Current.....	5.20-7.80	3.00-4.50	2.60-3.80	2.25-3.40	-

Capacitor:

The capacitor is included as part of the potted assembly.

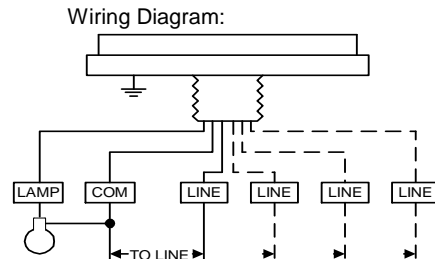


Fig. OW-2

**Ordering Information**

Order Suffix

Description

Ignitor:

IN CAN

The ignitor is included as part of the potted assembly.

Data is based upon tests performed by Advance Transformer in a controlled environment and representative of relative performance. Actual performance can vary depending on operating conditions. Specifications are subject to change without notice.

**ADVANCE TRANSFORMER CO.**

O'HARE INTERNATIONAL CENTER · 10275 WEST HIGGINS ROAD · ROSEMONT, IL 60018  
Customer Support/Technical Service: Phone: 800-372-3331 · Fax: 847-768-7768  
Corporate Offices: Phone: 800-322-2086

04/14/00