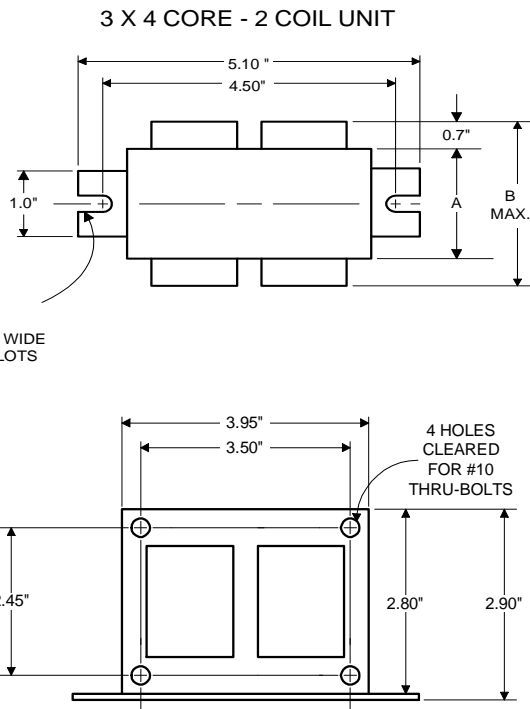




Metal  
Halide  
Lamp Ballast

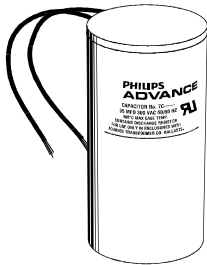
Catalog Number AS145W480T  
For 145W C192 ALLSTART  
60 Hz SUPER-CWA  
Status: Active

**DIMENSIONS AND DATA**



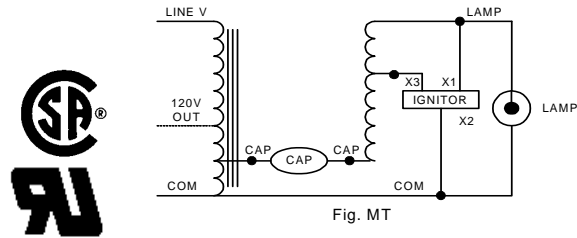
INPUT VOLTS	480				
CIRCUIT TYPE	SUPER-CWA				
POWER FACTOR (min)	90%				
REGULATION					
Line Volts	±10%				
Lamp Watts	±10%				
LINE CURRENT (Amps)					
Operating.....	0.40				
Open Circuit.....	0.48				
Starting.....	0.19				
UL TEMPERATURE RATINGS					
Insulation Class	H(180°C)				
Coil Temperature Code	1029				
MIN. AMBIENT STARTING TEMP.	-20°F or -30°C				
NOM. OPEN CIRCUIT VOLTAGE	275				
INPUT VOLTAGE AT LAMP DROPOUT.....	270				
INPUT WATTS	180				
RECOMMENDED FUSE (Amps).....	1				
CORE and COIL					
Dimension (A)	2.24				
Dimension (B)	3.50				
Weight (lbs.)	7.4				
Lead Lengths	12"				
CAPACITOR REQUIREMENT					
Microfarads	11.0				
Volts (min.)	400				
Fault Current Withstand (amps)					
60 Hz TEST PROCEDURES (Refer to Advance Test Procedure for HID Ballasts - Form 1270)					
High Potential Test (Volts)					
1 minute	2000				
2 seconds	2500				
Open Circuit Voltage Test (Volts)	254-300				
Short-Circuit Current Test (Amps)					
Secondary Current	1.60-1.95				
Input Current.....	0.11-0.17	-	-	-	-

Capacitor: 7C110M40



Capacitance: 11  
Dia/Oval Dim: 1.65  
Height: 3.75  
Temp Rating: 105°C

Wiring Diagram:



Ignitor: LI533-H4



Ballast to Lamp Distance (BTL) = 2 feet  
Temp Rating: 105°C

Ordering Information

Order Suffix	Description
500D	Ballast w / Dry Cap. & Ignitor (when required)
510D	Ballast w/Dry Cap, welded bracket & Ignitor (when required)

Data is based upon tests performed by Advance Transformer in a controlled environment and representative of relative performance. Actual performance can vary depending on operating conditions. Specifications are subject to change without notice.

**ADVANCE TRANSFORMER CO.**

O'HARE INTERNATIONAL CENTER · 10275 WEST HIGGINS ROAD · ROSEMONT, IL 60018  
Customer Support/Technical Service: Phone: 800-372-3331 · Fax: 847-768-7768  
Corporate Offices: Phone: 800-322-2086

05/18/11