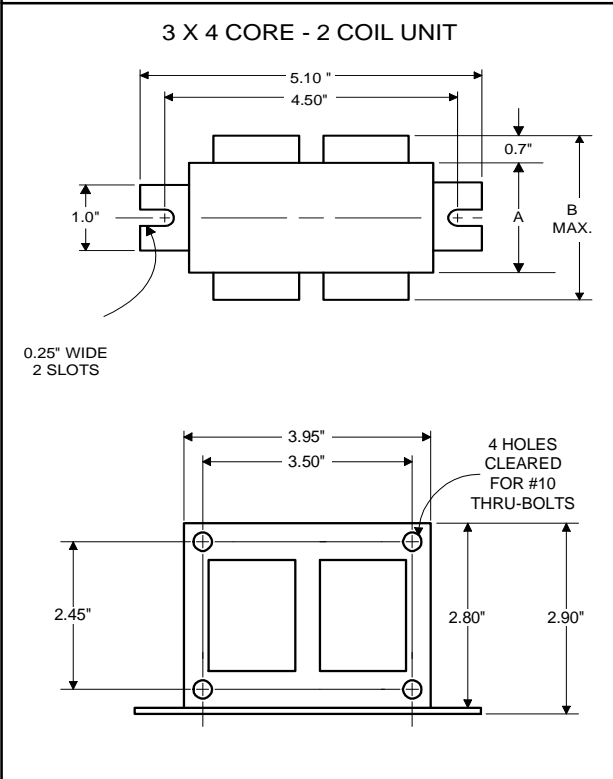




Metal Halide Lamp Ballast

Catalog Number AS145WQUAD
For 145W C192
60 Hz SUPER-CWA
Status: Active

DIMENSIONS AND DATA

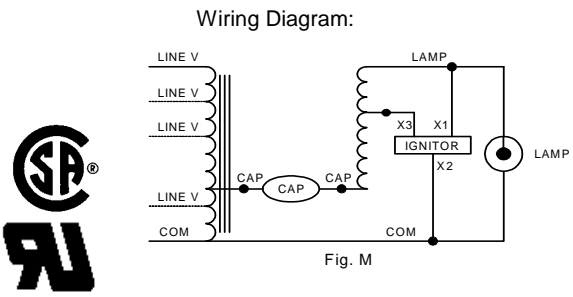


	120	208	240	277
INPUT VOLTS				
CIRCUIT TYPE	SUPER-CWA			
POWER FACTOR (min)	90%			
REGULATION				
Line Volts	±10%			
Lamp Watts	±10%			
LINE CURRENT (Amps)				
Operating.....	1.60	0.95	0.78	0.67
Open Circuit.....	1.90	1.27	0.95	0.82
Starting.....	0.81	0.46	0.41	0.36
UL TEMPERATURE RATINGS				
Insulation Class	H(180°C)			
Coil Temperature Code	1029			
	E	E	D	D
MIN. AMBIENT STARTING TEMP.	-20°F or -30°C			
NOM. OPEN CIRCUIT VOLTAGE	275			
INPUT VOLTAGE AT LAMP DROPOUT.....	60	104	120	138
INPUT WATTS	179			
RECOMMENDED FUSE (Amps).....	5	3	3	2
CORE and COIL				
Dimension (A)	2.24			
Dimension (B)	3.50			
Weight (lbs.)	7.4			
Lead Lengths	12"			
CAPACITOR REQUIREMENT				
Microfarads	11.0			
Volts (min.)	400			
Fault Current Withstand (amps)				
60 Hz TEST PROCEDURES (Refer to Advance Test Procedure for HID Ballasts - Form 1270)				
High Potential Test (Volts)				
1 minute	2000			
2 seconds	2500			
Open Circuit Voltage Test (Volts)	254-300			
Short-Circuit Current Test (Amps)				
Secondary Current	1.60-1.95			
Input Current.....	0.40-0.70	0.24-0.37	0.24-0.37	0.19-0.29

Capacitor: 7C110M40



Capacitance: 11
Dia/Oval Dim: 1.65
Height: 3.75
Temp Rating: 105°C



Ignitor: LI533-H4



Ballast to Lamp Distance (BTL) = 2 feet
Temp Rating: 105°C

Ordering Information	
Order Suffix	Description
500D	Ballast w / Dry Cap. & Ignitor (when required)
510D	Ballast w/Dry Cap, welded bracket & Ignitor (when required)

Data is based upon tests performed by Advance Transformer in a controlled environment and representative of relative performance. Actual performance can vary depending on operating conditions. Specifications are subject to change without notice.