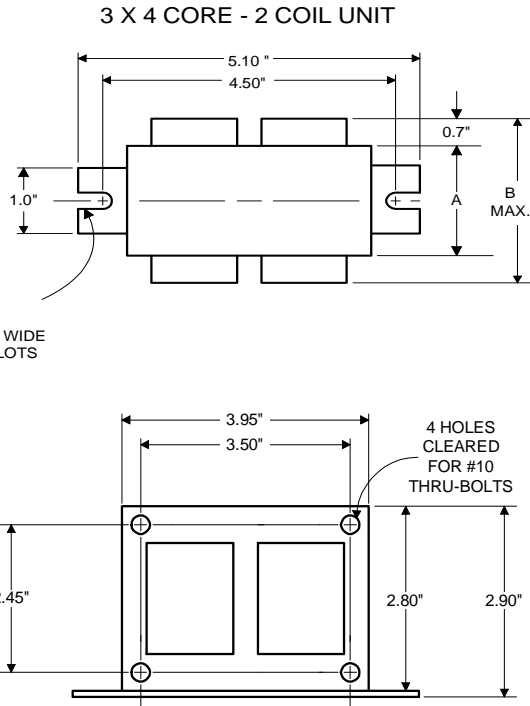




Metal
Halide
Lamp Ballast

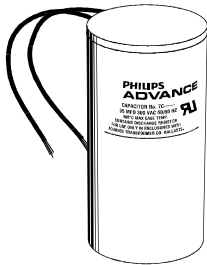
Catalog Number 71A5692EE
For 200W M136 (P.S.)
60 Hz SUPER-CWA
Status: Active

DIMENSIONS AND DATA



	120	208	240	277	
INPUT VOLTS					
CIRCUIT TYPE	SUPER-CWA				
POWER FACTOR (min)	90%				
REGULATION					
Line Volts	±10%				
Lamp Watts	±10%				
LINE CURRENT (Amps)					
Operating.....	2.12	1.22	1.06	0.93	
Open Circuit.....	1.85	1.06	0.91	0.80	
Starting.....	0.82	0.47	0.40	0.35	
UL TEMPERATURE RATINGS					
Insulation Class	H(180°C)				
Coil Temperature Code	1029				
	A	A	A	A	
MIN. AMBIENT STARTING TEMP.	-20°F or -30°C				
NOM. OPEN CIRCUIT VOLTAGE	240				
INPUT VOLTAGE AT LAMP DROPOUT.....	65	114	127	149	
INPUT WATTS	227				
RECOMMENDED FUSE (Amps).....	6	4	3	3	
CORE and COIL					
Dimension (A)	2.95				
Dimension (B)	4.20				
Weight (lbs.)	8.8				
Lead Lengths	12"				
CAPACITOR REQUIREMENT					
Microfarads	15.0				
Volts (min.)	330				
Fault Current Withstand (amps)					
60 Hz TEST PROCEDURES (Refer to Advance Test Procedure for HID Ballasts - Form 1270)					
High Potential Test (Volts)					
1 minute	2000				
2 seconds	2500				
Open Circuit Voltage Test (Volts)	225-265				
Short-Circuit Current Test (Amps)					
Secondary Current	1.95-2.40				
Input Current.....	0.47-0.71	0.28-0.42	0.24-0.36	0.21-0.31	-

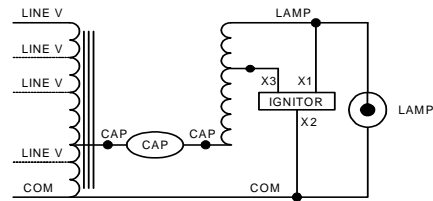
Capacitor: 7C150M33



Capacitance: 15
Dia/Oval Dim: 1.65
Height: 3.75
Temp Rating: 105°C



Wiring Diagram:



Ordering Information

Order Suffix	Description
EE	EISA COMPLIANT - 88% EFFICIENT BALLAST

Ignitor: LI533-H4



Red (X1)
White (X2)
Blue (X3)

Ballast to Lamp Distance (BTL) = 2 feet
Temp Rating: 105°C

Data is based upon tests performed by Advance Transformer in a controlled environment and representative of relative performance. Actual performance can vary depending on operating conditions. Specifications are subject to change without notice.

ADVANCE TRANSFORMER CO.

O'HARE INTERNATIONAL CENTER · 10275 WEST HIGGINS ROAD · ROSEMONT, IL 60018
Customer Support/Technical Service: Phone: 800-372-3331 · Fax: 847-768-7768
Corporate Offices: Phone: 800-322-2086

10/26/09