

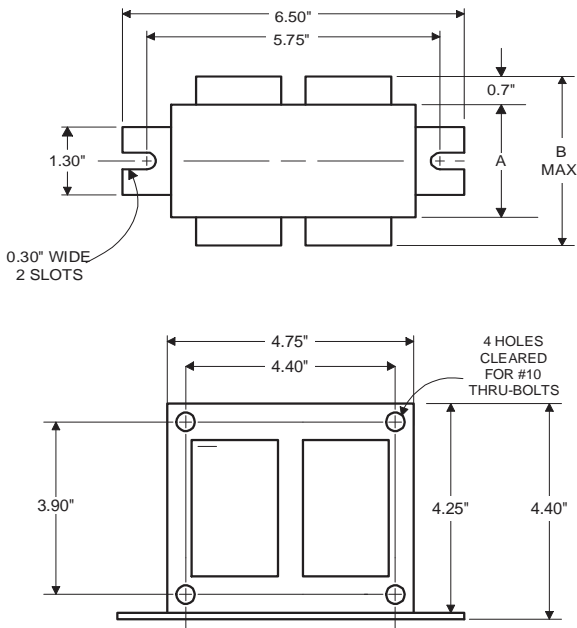


Metal
Halide
Lamp Ballast

Catalog Number 71A6498
For 875W M166
60 Hz CWA
Status: Active

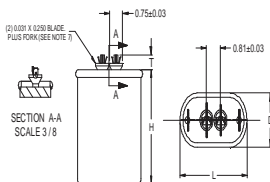
DIMENSIONS AND DATA

4 1/4 X 4 3/4 CORE - 2 COIL UNIT



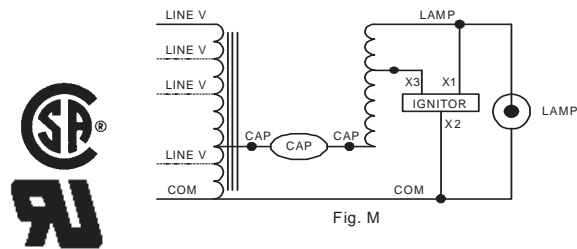
		120	208	240	277
INPUT VOLTS					
CIRCUIT TYPE		CWA			
POWER FACTOR (min)		90%			
REGULATION					
Line Volts		±10%			
Lamp Watts		±10%			
LINE CURRENT (Amps)					
Operating.....		7.75	4.30	3.90	3.35
Open Circuit.....		3.75	2.10	2.05	1.70
Starting.....		6.40	3.65	3.20	2.80
UL TEMPERATURE RATINGS					
Insulation Class		H(180°C)			
Coil Temperature Code		1029			
MIN. AMBIENT STARTING TEMP.		-20°F or -30°C			
NOM. OPEN CIRCUIT VOLTAGE		415			
INPUT VOLTAGE AT LAMP DROPOUT.....		65	110	125	145
INPUT WATTS		940			
RECOMMENDED FUSE (Amps).....		20	10	10	8
CORE and COIL					
Dimension (A)		3.00			
Dimension (B)		5.00			
Weight (lbs.)		17.5			
Lead Lengths		12"			
CAPACITOR REQUIREMENT					
Microfarads		21.0			
Volts (min.)		480			
Fault Current Withstand (amps)					
60 Hz TEST PROCEDURES (Refer to Advance Test Procedure for HID Ballasts - Form 1270)					
High Potential Test (Volts)					
1 minute		1500			
2 seconds		2500			
Open Circuit Voltage Test (Volts)		375-455			
Short-Circuit Current Test (Amps)					
Secondary Current		4.45-5.40			
Input Current.....		4.60-7.00	2.60-4.00	2.25-3.45	2.00-3.00

Capacitor: MD2100-030



Capacitance: 21
Dia/Oval Dim: 1.75
Height: 3.9
Temp Rating: 90°C

Wiring Diagram:



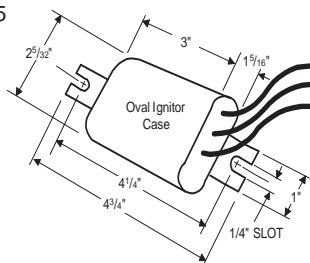
Ordering Information

Order Suffix

Description

Ignitor:

LI572-H5



Ballast to Lamp Distance (BTL) = 5 feet
Temp Rating: 105°C

Data is based upon tests performed by Advance Transformer in a controlled environment and representative of relative performance. Actual performance can vary depending on operating conditions. Specifications are subject to change without notice.

ADVANCE TRANSFORMER CO.

O'HARE INTERNATIONAL CENTER · 10275 WEST HIGGINS ROAD · ROSEMONT, IL 60018
Customer Support/Technical Service: Phone: 800-372-3331 · Fax: 847-768-7768
Corporate Offices: Phone: 800-322-2086

10/26/09