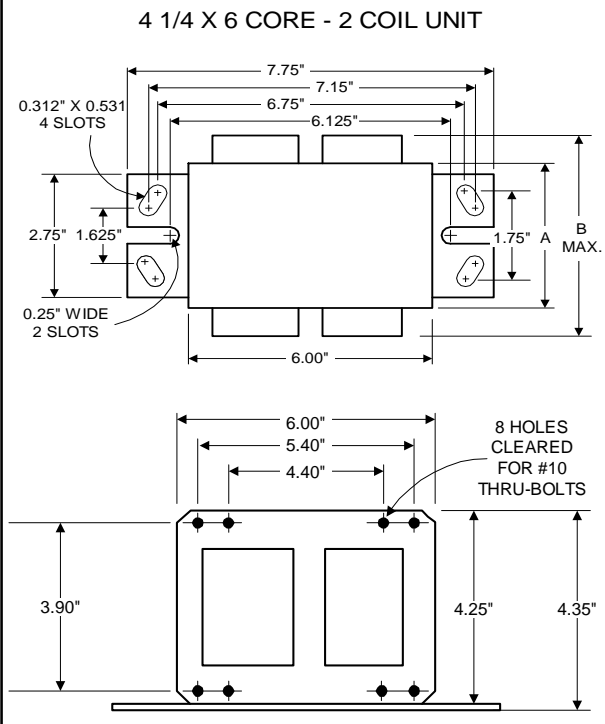




Metal  
Halide  
Lamp Ballast

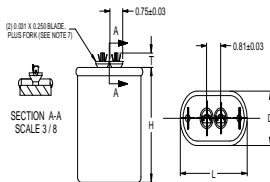
Catalog Number 71A6552CU  
For 1000W M47  
60 Hz CWA  
Status: Active

**DIMENSIONS AND DATA**



	120	208	240	277	480
INPUT VOLTS					
CIRCUIT TYPE	CWA				
POWER FACTOR (min)	96%				
REGULATION					
Line Volts	±10%				
Lamp Watts	±10%				
LINE CURRENT (Amps)					
Operating.....	9.05	5.60	4.70	4.07	2.36
Open Circuit.....	5.16	4.30	3.09	2.61	1.60
Starting.....	6.00	2.82	3.00	2.30	1.53
UL TEMPERATURE RATINGS					
Insulation Class	H(180°C)				
Coil Temperature Code	1029				
D	D	D	C	C	C
MIN. AMBIENT STARTING TEMP.	-30°F or -35°C				
NOM. OPEN CIRCUIT VOLTAGE	426				
INPUT VOLTAGE AT LAMP DROPOUT.....	78	125	150	180	290
INPUT WATTS	1080				
RECOMMENDED FUSE (Amps).....	22	15	12	10	6
CORE and COIL					
Dimension (A)	3.00				
Dimension (B)	4.70				
Weight (lbs.)	22				
Lead Lengths	12"				
CAPACITOR REQUIREMENT					
Microfarads	24.0				
Volts (min.)	480				
Fault Current Withstand (amps)					
60 Hz TEST PROCEDURES (Refer to Advance Test Procedure for HID Ballasts - Form 1270)					
High Potential Test (Volts)					
1 minute	2000				
2 seconds	2500				
Open Circuit Voltage Test (Volts)	383-468				
Short-Circuit Current Test (Amps)					
Secondary Current	4.97-6.08				
Input Current.....	4.35-6.52	2.16-3.24	2.04-3.06	1.80-2.71	1.00-1.51

Capacitor: MD2409-100



Capacitance: 24  
Dia/Oval Dim: 1.75  
Height: 3.9  
Temp Rating: 90°C

Ignitor: NA

This ballast does not require the use of an ignitor.

Wiring Diagram:

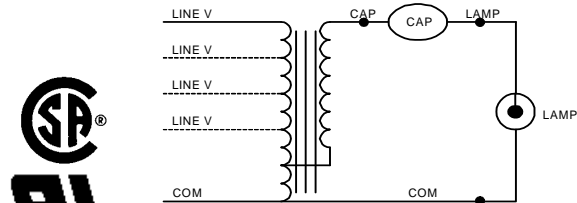


Fig. A

Ordering Information

Order Suffix	Description

Data is based upon tests performed by Advance Transformer in a controlled environment and representative of relative performance. Actual performance can vary depending on operating conditions. Specifications are subject to change without notice.

**ADVANCE TRANSFORMER CO.**

O'HARE INTERNATIONAL CENTER · 10275 WEST HIGGINS ROAD · ROSEMONT, IL 60018  
Customer Support/Technical Service: Phone: 800-372-3331 · Fax: 847-768-7768  
Corporate Offices: Phone: 800-322-2086

02/23/11