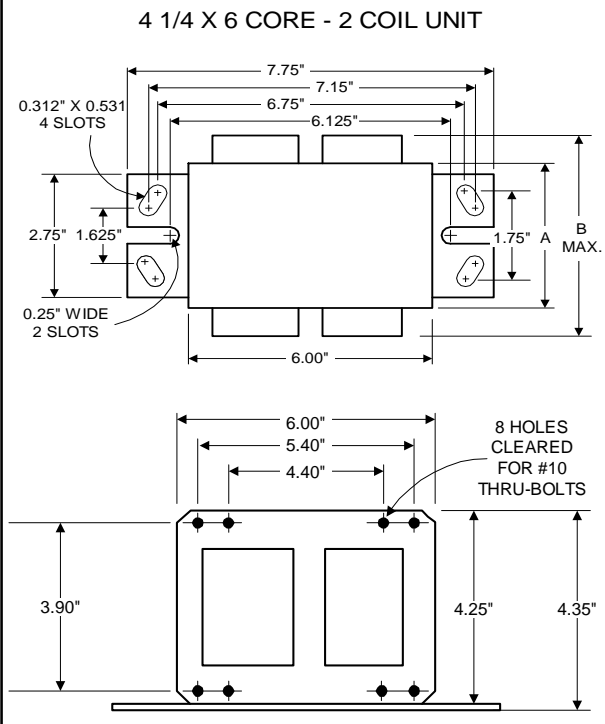




Metal Halide Lamp Ballast

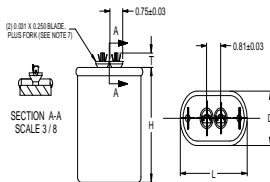
Catalog Number 71A6592A
For 1000W M47
60 Hz CWA
Status: Active

DIMENSIONS AND DATA

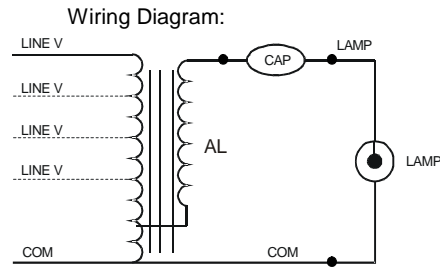


| | 120 | 208 | 240 | 277 |
|--|----------------|-----------|-----------|-----------|
| INPUT VOLTS | | | | |
| CIRCUIT TYPE | CWA | | | |
| POWER FACTOR (min) | 90% | | | |
| REGULATION | | | | |
| Line Volts | ±10% | | | |
| Lamp Watts | ±10% | | | |
| LINE CURRENT (Amps) | | | | |
| Operating..... | 9.00 | 5.20 | 4.50 | 3.90 |
| Open Circuit..... | 4.50 | 2.70 | 2.30 | 2.20 |
| Starting..... | 7.80 | 4.00 | 3.70 | 3.20 |
| UL TEMPERATURE RATINGS | | | | |
| Insulation Class | H(180°C) | | | |
| Coil Temperature Code | 1029 | | | |
| | D | B | B | B |
| MIN. AMBIENT STARTING TEMP. | -20°F or -30°C | | | |
| NOM. OPEN CIRCUIT VOLTAGE | 430 | | | |
| INPUT VOLTAGE AT LAMP DROPOUT..... | 84 | 146 | 168 | 194 |
| INPUT WATTS | 1080 | | | |
| RECOMMENDED FUSE (Amps)..... | 20 | 15 | 10 | 10 |
| CORE and COIL | | | | |
| Dimension (A) | 3.05 | | | |
| Dimension (B) | 5.00 | | | |
| Weight (lbs.) | 20 | | | |
| Lead Lengths | 12" | | | |
| CAPACITOR REQUIREMENT | | | | |
| Microfarads | 24.0 | | | |
| Volts (min.) | 480 | | | |
| Fault Current Withstand (amps) | | | | |
| 60 Hz TEST PROCEDURES (Refer to Advance Test Procedure for HID Ballasts - Form 1270) | | | | |
| High Potential Test (Volts) | | | | |
| 1 minute | 2000 | | | |
| 2 seconds | 2500 | | | |
| Open Circuit Voltage Test (Volts) | 385-475 | | | |
| Short-Circuit Current Test (Amps) | | | | |
| Secondary Current | 5.20-6.40 | | | |
| Input Current..... | 5.60-8.60 | 3.20-4.80 | 2.80-4.30 | 2.40-3.60 |

Capacitor: MD2409-100



Capacitance: 24
Dia/Oval Dim: 1.75
Height: 3.9
Temp Rating: 90°C



Ordering Information

| Order Suffix | Description |
|--------------|-------------|
| | |

Ignitor: NA

This ballast does not require the use of an ignitor.

Data is based upon tests performed by Advance Transformer in a controlled environment and representative of relative performance. Actual performance can vary depending on operating conditions. Specifications are subject to change without notice.

ADVANCE TRANSFORMER CO.

O'HARE INTERNATIONAL CENTER · 10275 WEST HIGGINS ROAD · ROSEMONT, IL 60018
Customer Support/Technical Service: Phone: 800-372-3331 · Fax: 847-768-7768
Corporate Offices: Phone: 800-322-2086

01/28/11