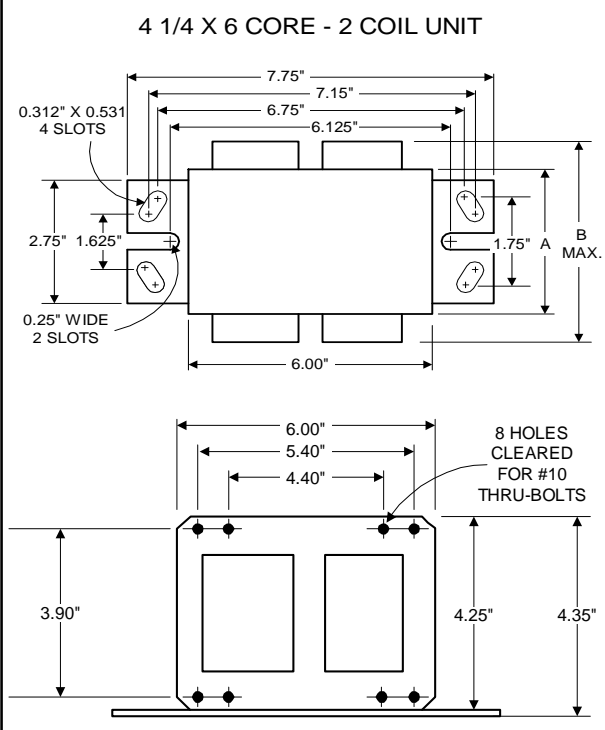




Metal  
Halide  
Lamp Ballast

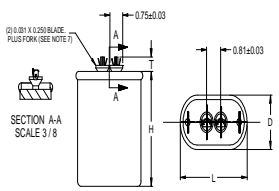
Catalog Number 71A6593A  
For 1000W M141 (Pulse Start)  
60 Hz SUPER-CWA  
Status: Active

**DIMENSIONS AND DATA**



	120	208	240	277
INPUT VOLTS				
CIRCUIT TYPE	SUPER-CWA			
POWER FACTOR (min)	90%			
REGULATION				
Line Volts	±10%			
Lamp Watts	±10%			
LINE CURRENT (Amps)				
Operating.....	9.20	5.30	4.60	4.00
Open Circuit.....	5.15	2.75	2.60	2.25
Starting.....	6.15	3.80	3.10	2.70
UL TEMPERATURE RATINGS				
Insulation Class	H(180°C)			
Coil Temperature Code	1029			
	D	B	B	B
MIN. AMBIENT STARTING TEMP.	-20°F or -30°C			
NOM. OPEN CIRCUIT VOLTAGE	430			
INPUT VOLTAGE AT LAMP DROPOUT.....	80	146	170	190
INPUT WATTS	1080			
RECOMMENDED FUSE (Amps).....	20	15	10	10
CORE and COIL				
Dimension (A)	3.15			
Dimension (B)	5.15			
Weight (lbs.)	21			
Lead Lengths	12"			
CAPACITOR REQUIREMENT				
Microfarads	24.0			
Volts (min.)	480			
Fault Current Withstand (amps)				
60 Hz TEST PROCEDURES (Refer to Advance Test Procedure for HID Ballasts - Form 1270)				
High Potential Test (Volts)				
1 minute	2000			
2 seconds	2500			
Open Circuit Voltage Test (Volts)	385-475			
Short-Circuit Current Test (Amps)				
Secondary Current	5.20-6.25			
Input Current.....	4.90-7.40	3.00-4.60	2.50-3.70	2.10-3.25

Capacitor: MD2409-000



Capacitance: 24  
Dia/Oval Dim: 1.75  
Height: 3.9  
Temp Rating: 90°C

Wiring Diagram:

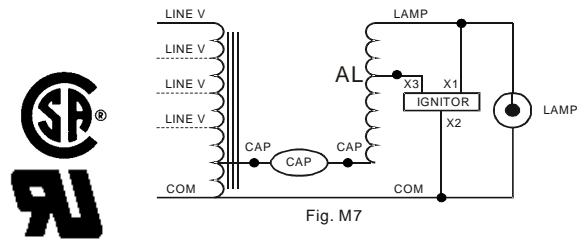
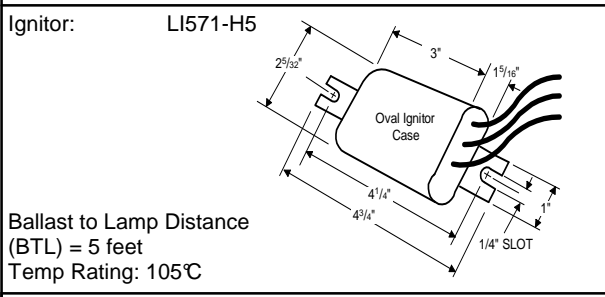


Fig. M7

Ordering Information

Order Suffix	Description



Data is based upon tests performed by Advance Transformer in a controlled environment and representative of relative performance. Actual performance can vary depending on operating conditions. Specifications are subject to change without notice.