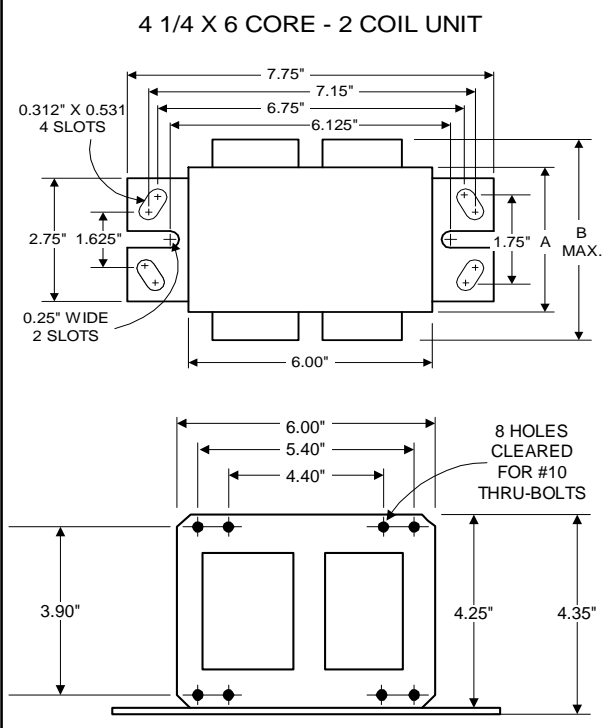




Metal
Halide
Lamp Ballast

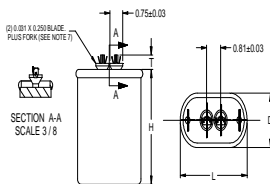
Catalog Number 71A65F3T
For 1000W M141 (Pulse Start)
60 Hz SUPER-CWA
Status: Active

DIMENSIONS AND DATA



INPUT VOLTS		347	480				
CIRCUIT TYPE	SUPER-CWA						
POWER FACTOR (min)	90%						
REGULATION							
Line Volts	±10%						
Lamp Watts	±12.5%						
LINE CURRENT (Amps)							
Operating.....		3.20	2.35				
Open Circuit.....		1.75	1.30				
Starting.....		2.25	1.65				
UL TEMPERATURE RATINGS							
Insulation Class	H(180°C)						
Coil Temperature Code	1029			D	D		
MIN. AMBIENT STARTING TEMP.	-20°F or -30°C						
NOM. OPEN CIRCUIT VOLTAGE	430						
INPUT VOLTAGE AT LAMP DROPOUT.....		230	275				
INPUT WATTS	1075						
RECOMMENDED FUSE (Amps).....		8	6				
CORE and COIL							
Dimension (A)	2.80						
Dimension (B)	4.50						
Weight (lbs.)	21						
Lead Lengths	12"						
CAPACITOR REQUIREMENT							
Microfarads	24.0						
Volts (min.)	440						
Fault Current Withstand (amps)							
60 Hz TEST PROCEDURES (Refer to Advance Test Procedure for HID Ballasts - Form 1270)							
High Potential Test (Volts)							
1 minute	2000						
2 seconds	2500						
Open Circuit Voltage Test (Volts)	385-470						
Short-Circuit Current Test (Amps)							
Secondary Current	4.60-6.90						
Input Current.....		1.70-2.60	1.25-1.90				

Capacitor: MD2409-000



Capacitance: 24
Dia/Oval Dim: 1.75
Height: 3.9
Temp Rating: 90°C

Wiring Diagram:

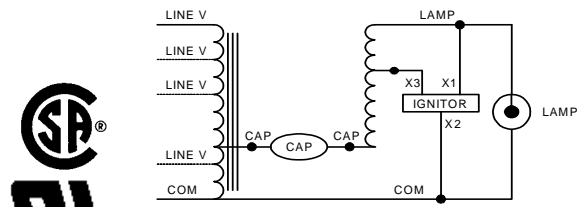
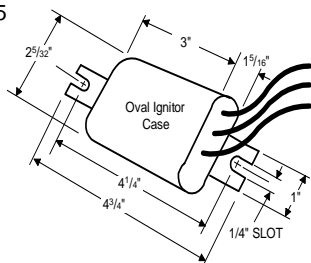


Fig. M

Ignitor: LI571-H5



Ballast to Lamp Distance (BTL) = 5 feet
Temp Rating: 105°C

Ordering Information

Order Suffix	Description
500.	Ballast with Ignitor and Oil Filled Capacitor
510.	Ballast w/Welded Bracket, Igniter & Oil-Filled Capacitor

Data is based upon tests performed by Advance Transformer in a controlled environment and representative of relative performance. Actual performance can vary depending on operating conditions. Specifications are subject to change without notice.

ADVANCE TRANSFORMER CO.

O'HARE INTERNATIONAL CENTER · 10275 WEST HIGGINS ROAD · ROSEMONT, IL 60018
Customer Support/Technical Service: Phone: 800-372-3331 · Fax: 847-768-7768
Corporate Offices: Phone: 800-322-2086

10/09/00