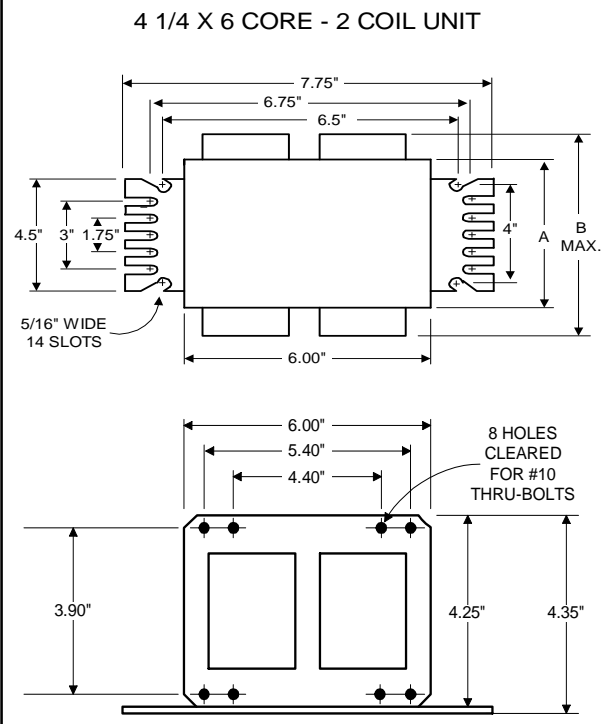




Metal
Halide
Lamp Ballast

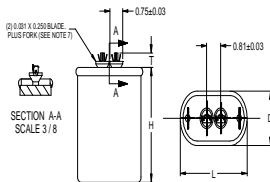
Catalog Number 71A6792A
For 1500W M48
60 Hz CWA
Status: Active

DIMENSIONS AND DATA



	120	208	240	277
INPUT VOLTS				
CIRCUIT TYPE	CWA			
POWER FACTOR (min)	90%			
REGULATION				
Line Volts	±10%			
Lamp Watts	±12%			
LINE CURRENT (Amps)				
Operating.....	13.4	7.80	6.80	5.90
Open Circuit.....	5.72	3.29	3.04	2.57
Starting.....	10.8	6.13	5.42	4.72
UL TEMPERATURE RATINGS				
Insulation Class	H(180°C)			
Coil Temperature Code	1029			
	G	E	E	G
MIN. AMBIENT STARTING TEMP.	-20°F or -30°C			
NOM. OPEN CIRCUIT VOLTAGE	460			
INPUT VOLTAGE AT LAMP DROPOUT.....	70	120	135	150
INPUT WATTS	1610			
RECOMMENDED FUSE (Amps).....	30	25	20	15
CORE and COIL				
Dimension (A)	4.70			
Dimension (B)	6.70			
Weight (lbs.)	30			
Lead Lengths	12"			
CAPACITOR REQUIREMENT				
Microfarads	32.0			
Volts (min.)	525			
Fault Current Withstand (amps)				
60 Hz TEST PROCEDURES (Refer to Advance Test Procedure for HID Ballasts - Form 1270)				
High Potential Test (Volts)				
1 minute	2000			
2 seconds	2500			
Open Circuit Voltage Test (Volts)	414-506			
Short-Circuit Current Test (Amps)				
Secondary Current	7.29-8.90			
Input Current.....	9.10-13.6	5.22-7.83	4.56-6.84	3.96-5.95

Capacitor: MD3202-100



Capacitance: 32
Dia/Oval Dim: 2.00
Height: 3.75
Temp Rating: 90°C

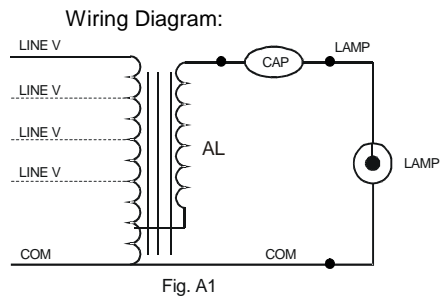


Fig. A1

Ordering Information

Order Suffix	Description

Ignitor: NA

This ballast does not require the use of an ignitor.

Data is based upon tests performed by Advance Transformer in a controlled environment and representative of relative performance. Actual performance can vary depending on operating conditions. Specifications are subject to change without notice.

ADVANCE TRANSFORMER CO.

O'HARE INTERNATIONAL CENTER · 10275 WEST HIGGINS ROAD · ROSEMONT, IL 60018
Customer Support/Technical Service: Phone: 800-372-3331 · Fax: 847-768-7768
Corporate Offices: Phone: 800-322-2086

06/18/07