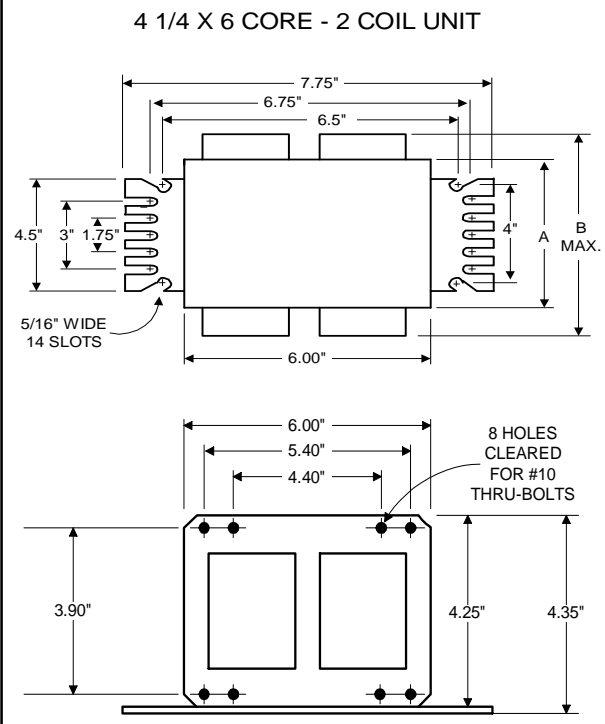




Metal  
Halide  
Lamp Ballast

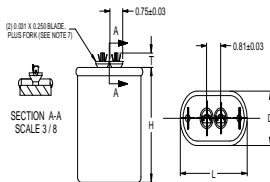
Catalog Number 71A67A2  
For 1500W M48  
60 Hz CWA  
Status: Active

**DIMENSIONS AND DATA**

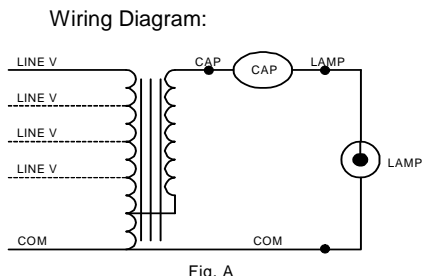


INPUT VOLTS	120	277	347		
CIRCUIT TYPE	CWA				
POWER FACTOR (min)	90%				
REGULATION					
Line Volts	±10%				
Lamp Watts	±12%				
LINE CURRENT (Amps)					
Operating.....	13.5	5.85	4.80		
Open Circuit.....	4.80	2.00	1.70		
Starting.....	13.4	5.70	4.60		
UL TEMPERATURE RATINGS					
Insulation Class	H(180°C)				
Coil Temperature Code	1029				
	G	G	G		
MIN. AMBIENT STARTING TEMP.	-20°F or -30°C				
NOM. OPEN CIRCUIT VOLTAGE	450				
INPUT VOLTAGE AT LAMP DROPOUT.....	80	185	230		
INPUT WATTS	1615				
RECOMMENDED FUSE (Amps).....	30	15	15		
CORE and COIL					
Dimension (A)	4.10				
Dimension (B)	6.10				
Weight (lbs.)	30				
Lead Lengths	12"				
CAPACITOR REQUIREMENT					
Microfarads	32.0				
Volts (min.)	525				
Fault Current Withstand (amps)					
60 Hz TEST PROCEDURES (Refer to Advance Test Procedure for HID Ballasts - Form 1270)					
High Potential Test (Volts)					
1 minute	2000				
2 seconds	2500				
Open Circuit Voltage Test (Volts)	405-495				
Short-Circuit Current Test (Amps)					
Secondary Current	7.40-9.00				
Input Current.....	9.80-14.8	4.40-6.70	3.50-5.30	-	-

Capacitor: MD3202-100



Capacitance: 32  
Dia/Oval Dim: 2.00  
Height: 3.75  
Temp Rating: 90°C



**Ordering Information**

Order Suffix	Description

Ignitor: NA

This ballast does not require the use of an ignitor.

Data is based upon tests performed by Advance Transformer in a controlled environment and representative of relative performance. Actual performance can vary depending on operating conditions. Specifications are subject to change without notice.