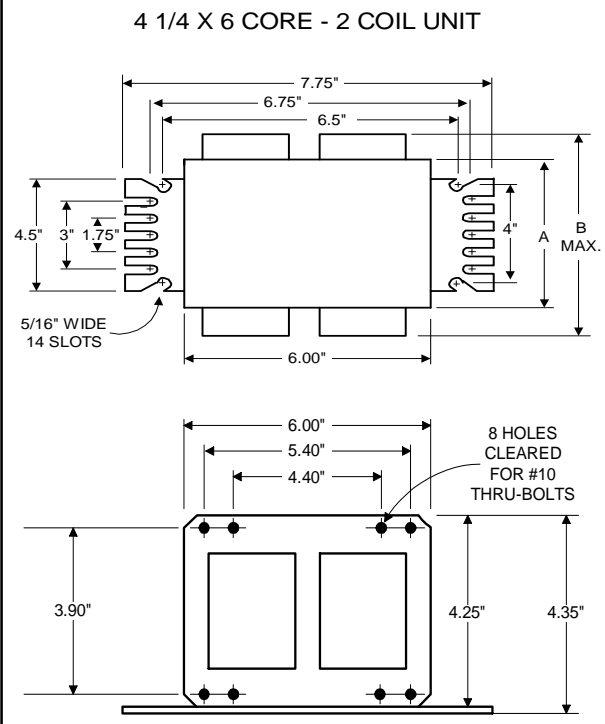




Metal
Halide
Lamp Ballast

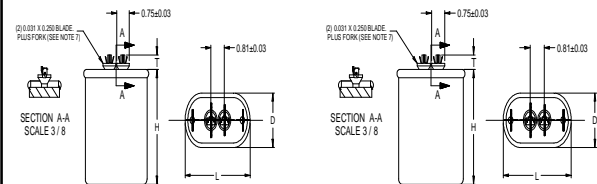
Catalog Number 71A67R2
For 1500W M48
50 Hz CWA
Status: Active

DIMENSIONS AND DATA



INPUT VOLTS	220	240			
CIRCUIT TYPE	CWA				
POWER FACTOR (min)	90%				
REGULATION					
Line Volts	±10%				
Lamp Watts	±12%				
LINE CURRENT (Amps)					
Operating.....	7.50	6.90			
Open Circuit.....	2.10	1.90			
Starting.....	6.90	6.30			
UL TEMPERATURE RATINGS					
Insulation Class	H(180°C)				
Coil Temperature Code	1029				
MIN. AMBIENT STARTING TEMP.	-20°F or -30°C				
NOM. OPEN CIRCUIT VOLTAGE	450				
INPUT VOLTAGE AT LAMP DROPOUT.....	145	160			
INPUT WATTS	1605				
RECOMMENDED FUSE (Amps).....	20	20			
CORE and COIL					
Dimension (A)	4.40				
Dimension (B)	6.40				
Weight (lbs.)	32				
Lead Lengths	12"				
CAPACITOR REQUIREMENT					
Microfarads	36.0				
Volts (min.)	540				
Fault Current Withstand (amps)					
60 Hz TEST PROCEDURES (Refer to Advance Test Procedure for HID Ballasts - Form 1270)					
High Potential Test (Volts)					
1 minute	2000				
2 seconds	2500				
Open Circuit Voltage Test (Volts)	420-520				
Short-Circuit Current Test (Amps)					
Secondary Current	10.40-12.80				
Input Current.....	11.3	10.4			
	0-	0-			
	14.0	12.8			

Capacitor: MD1802-200 MD1802-200



Capacitance:	18	Capacitance:	18
Dia/Oval Dim:	1.75	Dia/Oval Dim:	1.75
Height:	4.9	Height:	4.9
Temp Rating:	90°C	Temp Rating:	90°C

Wiring Diagram:

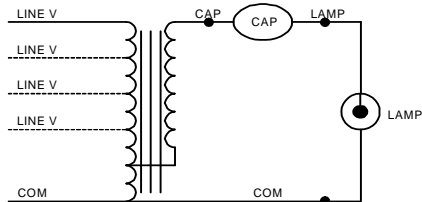


Fig. A

Ordering Information

Order Suffix	Description

Ignitor: NA

This ballast does not require the use of an ignitor.

Data is based upon tests performed by Advance Transformer in a controlled environment and representative of relative performance. Actual performance can vary depending on operating conditions. Specifications are subject to change without notice.