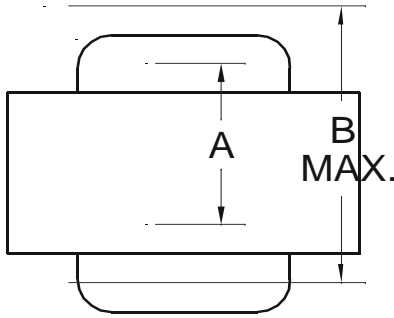
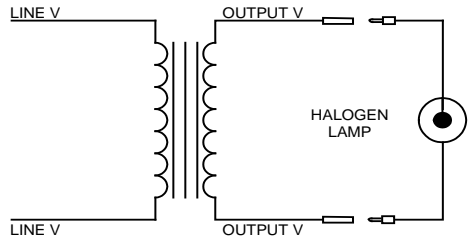
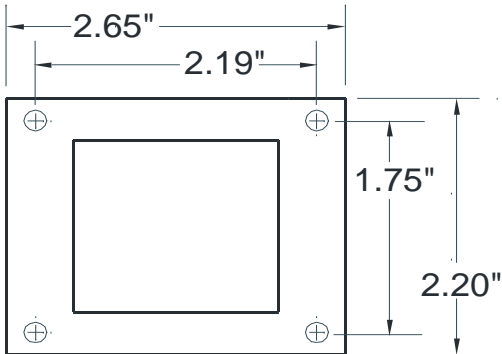



	<p><b>Step-down Transformer</b></p>	<p>Catalog Number: 71A9743-600C                  Step-down Transformer                  120V : 12V                  Max VA Load: 75                  Status: RELEASED</p>
---	---	---

**DIMENSIONS AND DATA**

<p><b>7/8 E-I Core</b></p>	<p>Output leads have sockets for lamp connection.</p>
	 <p>Fig. T-8</p>

<p><b>A Dimension</b></p>	<p><b>B Dimension</b></p>	<p><b>Input</b></p>	<p><b>Output</b></p>
<p>1.50"</p>	<p>2.8"</p>	<p>120V</p>	<p>11.5V</p>
		<p>0.85 A max.</p>	<p>75 VA Load max. for 75W Halogen</p>

	 <p>E65627 AD 180</p>
---	--

Data is based on tests performed by Philips Advance in a controlled environment and is representative of relative performance. Actual performance can vary depending on operating conditions. Specifications are subject to change without notice. All specifications are nominal unless otherwise noted.

**Philips Lighting Electronics**

10275 West Higgins Road • Rosemont, IL 60018 • [www.philips.com/advance](http://www.philips.com/advance)  
 Tel: 800-322-2086 • Fax: 800-423-1882 • Customer Support: 800-372-3331 • OEM Support: 866-915-5886