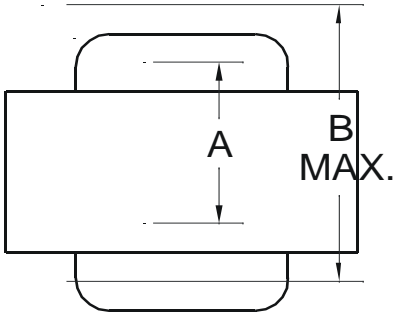
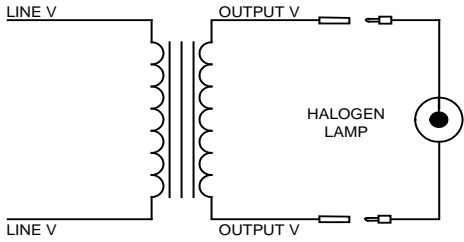
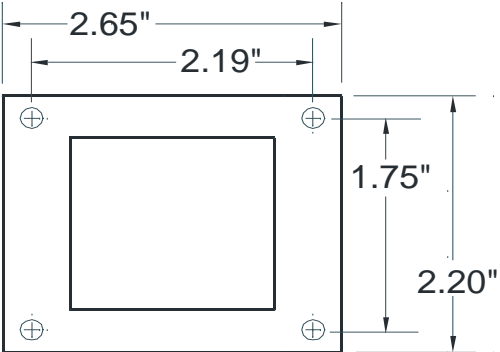



| | | |
|---|--|--|
|  | <p align="center">Step-down Transformer</p> | <p>Catalog Number: 71A9833-600C</p> |
| | | <p>Step-down Transformer 277V : 12V Max VA Load: 75 Status: RELEASED</p> |

DIMENSIONS AND DATA

| | |
|--|---|
| <p>7/8 E-I Core</p>  | <p>Output leads have sockets for lamp connection.</p>  <p align="center">Fig. T-8</p> |
|--|---|

| A Dimension | B Dimension | Input | Output |
|-------------|-------------|---------------|---------------------------------------|
| 1.50" | 2.8" | 277V | 11.8V |
| | | 0.3/0.4A max. | 75 VA Load max. for 50/75W Halogen |

| | |
|---|--|
|  |  <p>E65627 AD 180</p> |
|---|--|

Data is based on tests performed by Philips Advance in a controlled environment and is representative of relative performance. Actual performance can vary depending on operating conditions. Specifications are subject to change without notice. All specifications are nominal unless otherwise noted.

Philips Lighting Electronics

10275 West Higgins Road • Rosemont, IL 60018 • www.philips.com/advance
 Tel: 800-322-2086 • Fax: 800-423-1882 • Customer Support: 800-372-3331 • OEM Support: 866-915-5886