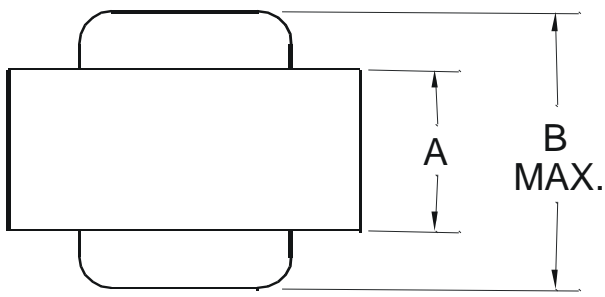
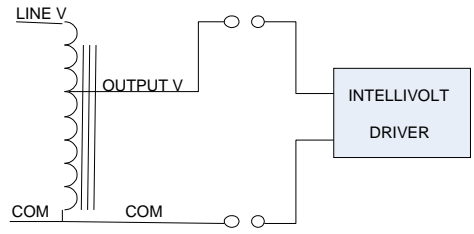
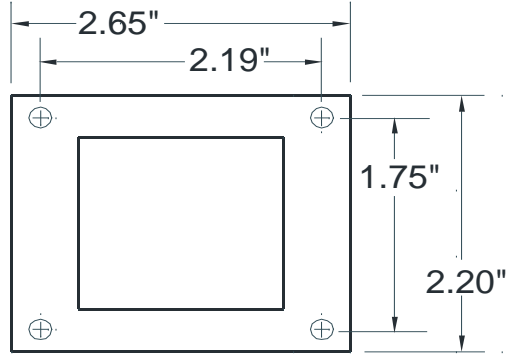



	<p>Step-down Transformer</p>	<p>Catalog Number: 71A9843-600 Step-down Transformer 347/480 : 190/270 Max VA Load: 350 Status: RELEASED</p>
---	-------------------------------------	--

DIMENSIONS AND DATA

<p>7/8 E-I Core</p> 	 <p>Fig. T-5</p>
--	--

<p>A Dimension</p>	<p>B Dimension</p>	<p>Input</p>	<p>Output</p>
<p>2.35"</p>	<p>3.6"</p>	<p>347V</p>	<p>190V</p>
		<p>480V</p>	<p>270V</p>
		<p>1.0 A max.</p>	<p>350 VA Load max.</p>

	 <p>E65627 AD 180</p>
---	--

Data is based on tests performed by Philips Advance in a controlled environment and is representative of relative performance. Actual performance can vary depending on operating conditions. Specifications are subject to change without notice. All specifications are nominal unless otherwise noted.

Philips Lighting Electronics

10275 West Higgins Road • Rosemont, IL 60018 • www.philips.com/advance
 Tel: 800-322-2086 • Fax: 800-423-1882 • Customer Support: 800-372-3331 • OEM Support: 866-915-5886