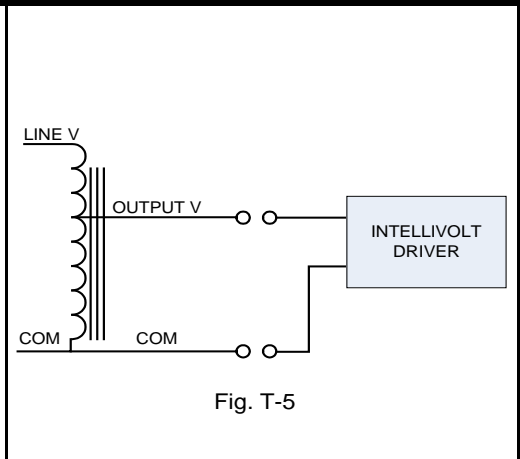
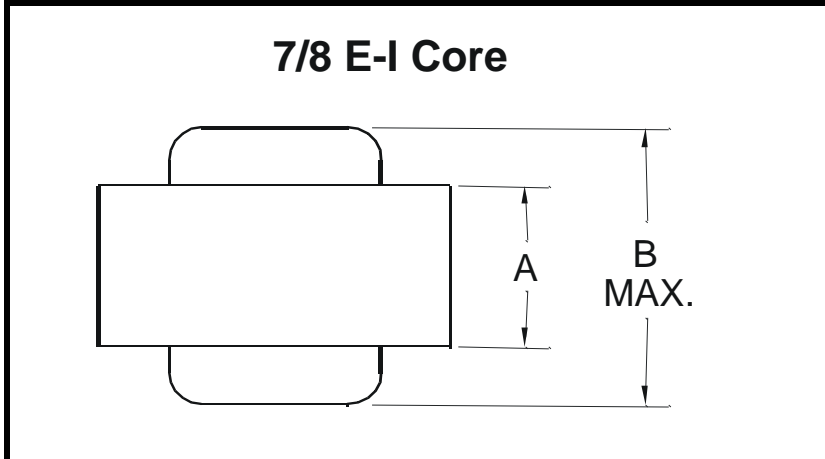


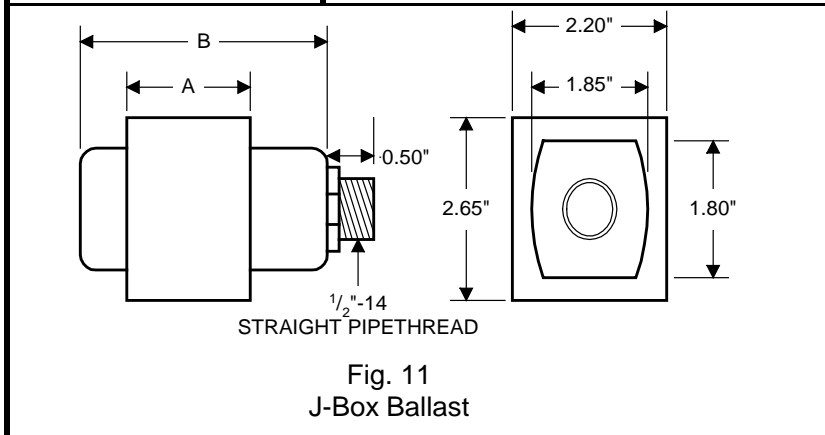
	<p align="center">Step-down Transformer</p>	<p>Catalog Number: 71A9843-600J Step-down Transformer 347/480 : 190/270 Max VA Load: 350</p>
		<p>Status: PRELIMINARY</p>

DIMENSIONS AND DATA



A Dimension	B Dimension
2.35"	3.6"(4.4)" (J-Box "B" DIM)

Input	Output
347V	190V
480V	270V
1.0 A max.	350 VA Load max.







Data is based on tests performed by Philips Advance in a controlled environment and is representative of relative performance. Actual performance can vary depending on operating conditions. Specifications are subject to change without notice. All specifications are nominal unless otherwise noted.

Philips Lighting Electronics

10275 West Higgins Road • Rosemont, IL 60018 • www.philips.com/advance
 Tel: 800-322-2086 • Fax: 800-423-1882 • Customer Support: 800-372-3331 • OEM Support: 866-915-5886