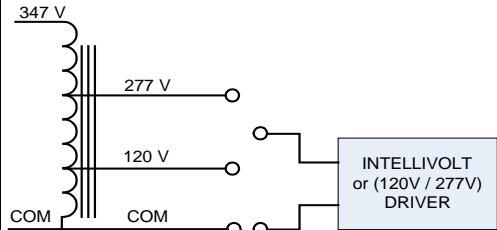
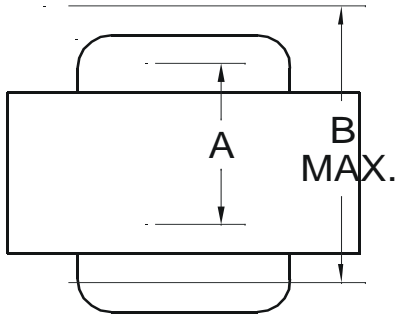
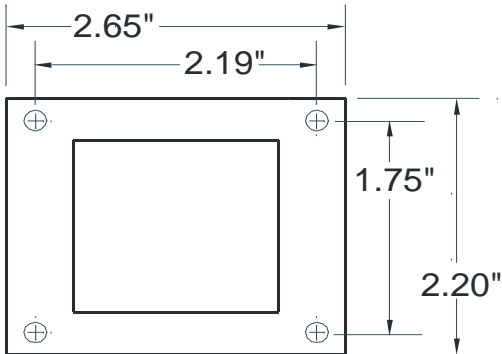



	<p>Step-down Transformer</p>	<p>Catalog Number: 71A9862-600 Step-down Transformer 347 : (120/277) Max VA Load: 395 Status: RELEASED</p>
---	-------------------------------------	--

DIMENSIONS AND DATA

<p>7/8 E-I Core</p>	
	<p>Fig. T-6</p>

<p>A Dimension</p>	<p>B Dimension</p>	<p>Input</p>	<p>Output</p>
<p>2.7"</p>	<p>3.9"</p>	<p>347V</p>	<p>120V/277V</p>
		<p>0.92 A max.</p>	<p>395 VA Load max.</p>

	
---	---

Data is based on tests performed by Philips Advance in a controlled environment and is representative of relative performance. Actual performance can vary depending on operating conditions. Specifications are subject to change without notice. All specifications are nominal unless otherwise noted.

Philips Lighting Electronics

10275 West Higgins Road • Rosemont, IL 60018 • www.philips.com/advance
 Tel: 800-322-2086 • Fax: 800-423-1882 • Customer Support: 800-372-3331 • OEM Support: 866-915-5886