

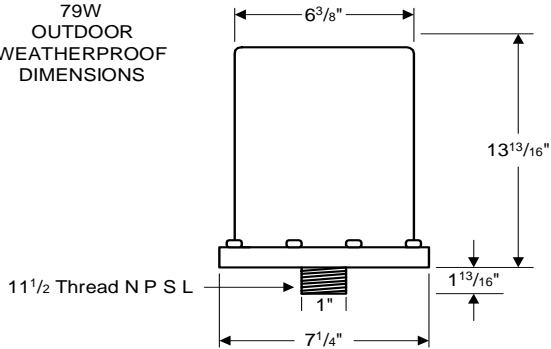


Metal  
Halide  
Lamp Ballast

Catalog Number 79W6341  
For 400W M59  
60 Hz CWA-ILO  
Status: Active

**DIMENSIONS AND DATA**

79W  
OUTDOOR  
WEATHERPROOF  
DIMENSIONS



INPUT VOLTS	480				
CIRCUIT TYPE	CWA-ILO				
POWER FACTOR (min)	90%				
REGULATION					
Line Volts	±10%				
Lamp Watts	±10%				
LINE CURRENT (Amps)					
Operating.....	2.10				
Open Circuit.....	0.00				
Starting.....	0.00				
UL TEMPERATURE RATINGS					
Insulation Class	H(180°C)				
Coil Temperature Code	1029				
MIN. AMBIENT STARTING TEMP.	-20°F or -30°C				
NOM. OPEN CIRCUIT VOLTAGE	330				
INPUT VOLTAGE AT LAMP DROPOUT.....	240				
INPUT WATTS	890				
RECOMMENDED FUSE (Amps).....	7				
CORE and COIL					
Dimension (A)					
Dimension (B)					
Weight (lbs.)	43				
Lead Lengths	10"				
CAPACITOR REQUIREMENT					
Microfarads					
Volts (min.)					
Fault Current Withstand (amps)					
60 Hz TEST PROCEDURES (Refer to Advance Test Procedure for HID Ballasts - Form 1270)					
High Potential Test (Volts)					
1 minute	2000				
2 seconds	2500				
Open Circuit Voltage Test (Volts)	0-0				
Short-Circuit Current Test (Amps)					
Secondary Current	0.00-0.00				
Input Current.....	0.00-0.00	-	-	-	-

Capacitor:

The capacitor is included as part of the potted assembly.



**Wiring Diagram:**

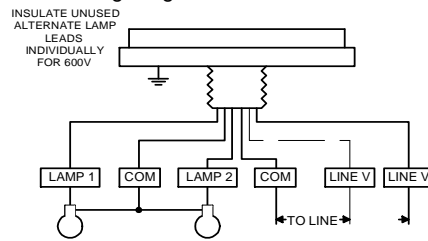


Fig. OW-4

**Ordering Information**

Order Suffix

Description

Ignitor:

NA

This ballast does not require the use of an ignitor.

Data is based upon tests performed by Advance Transformer in a controlled environment and representative of relative performance. Actual performance can vary depending on operating conditions. Specifications are subject to change without notice.

**ADVANCE TRANSFORMER CO.**

O'HARE INTERNATIONAL CENTER · 10275 WEST HIGGINS ROAD · ROSEMONT, IL 60018  
Customer Support/Technical Service: Phone: 800-372-3331 · Fax: 847-768-7768  
Corporate Offices: Phone: 800-322-2086

04/14/00