

Versatility Delivered

Philips Advance 75W Xitanium Linear LED Driver
with SimpleSet Technology



PHILIPS
ADVANCE

75W Xitanium Linear LED Driver with SimpleSet Technology

Optimized to meet the ever-evolving needs of today's LED lighting customers, Philips Advance Xitanium Programmable LED Drivers are a one-stop solution for the varying power needs of linear lighting. Offering an unparalleled level of flexibility, these drivers can be customized based on the luminaire design. Customization can now be completed quickly and easily.

Philips' new SimpleSet wireless programming technology allows OEMs to quickly and easily program LED drivers at any time during manufacturing, distribution or installation process. As a result, OEMs can meet orders faster with greater confidence while reducing costs and inventory.

The Philips Advance 75W Xitanium Linear LED Driver with SimpleSet technology offers a fast, flexible, convenient programming method OEMs did not have before, while maintaining the quality and performance OEMs expect from Xitanium.



Features and Benefits

- Programmable drive current through SimpleSet wireless programming technology
- Large operating window, with max current of up to 2A for easy use with a wide variety of loads and currents
- 0-10V dimming, down to 5%
- Industry familiar slim T5-style housing for easy integration into troffers

Product Applications

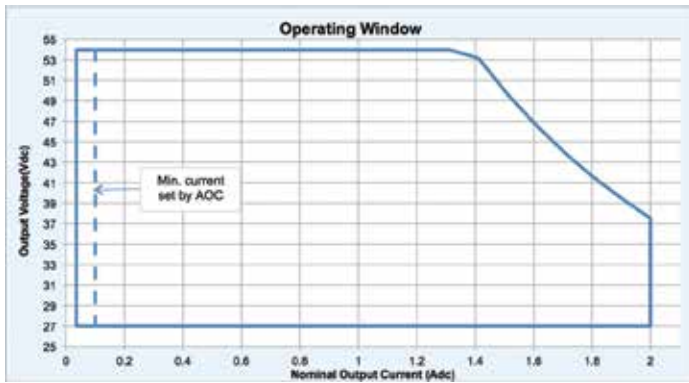
- Office
- Retail
- Hospitality
- Meeting Rooms

For more information on our SimpleSet technology, go to www.philips.com/simpleset.

Part: XI075C200V054BPTI

Input Voltage (Vac)	Output Power (W)	Output Voltage (V)	Output Current (A)	Efficiency @ Max Load and 70°C Case	Max Case Temp. (°C)	THD @ Max Load (%)	Power Factor @ Max Load	Surge Protection (Ring wave, KV)	Envir. Protection Rating
120	75	27 – 54	0.1 – 2.0	87%	Life - 75°C UL - 85°C	<10%	>0.95	>2.5	UL damp and dry
277				89%		<15%			

Operating Window

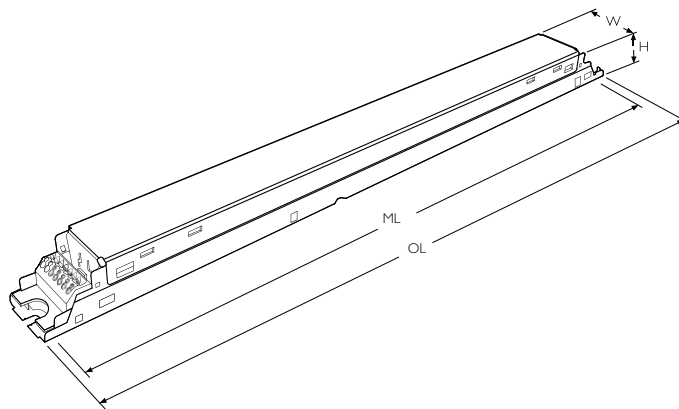


Notes:

1. Adjustable Output Current (AOC) via SimpleSet or Rset
2. AOC default set to Rset
3. Default output current 2.0A
4. For 5% dimming, AOC should be >0.7A

75W Driver Dimensions

	in.	mm
Case Width	1.2	30
Case Height	1.0	25.4
Mounting Length	16.3	415
Overall Length	16.6	424





© 2014 Koninklijke Philips N.V.
All rights reserved.
Specifications are subject to change
without notice.

PAd-1416FL 06/14

Philips Lighting North America Corporation
10275 W. Higgins Road
Rosemont, IL 60018
Tel: 800-322-2086
Fax: 888-423-1882
Customer Support/Customer Care: 800-372-3331
www.philips.com/ledsystemsna

Imported by: Philips Lighting
A division of Philips Electronics Ltd.
281 Hillmount Road
Markham ON, Canada L6C 2S3
Phone: 800-668-9008