

17450/\*\*/A7



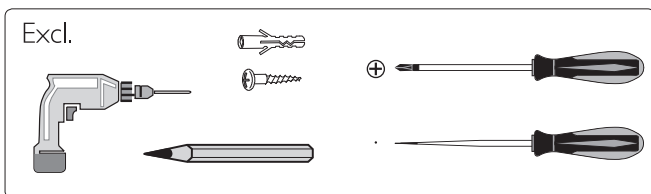
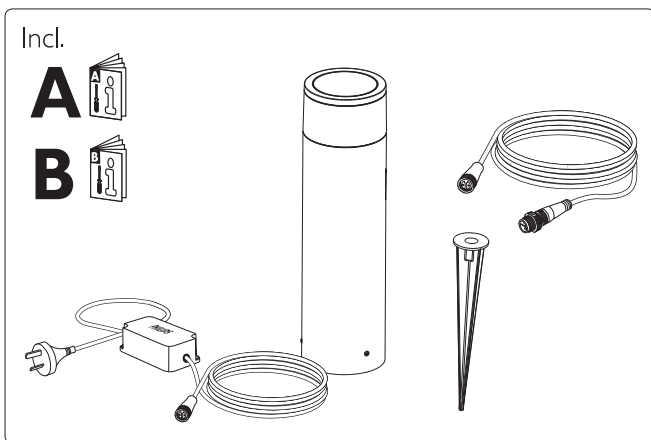
User manual



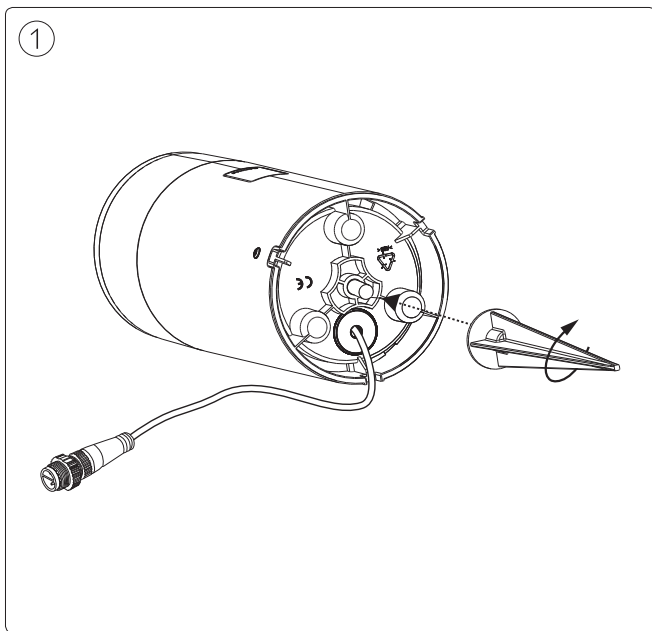
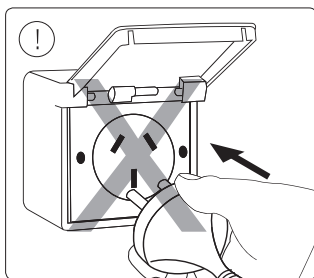
HUE serial number

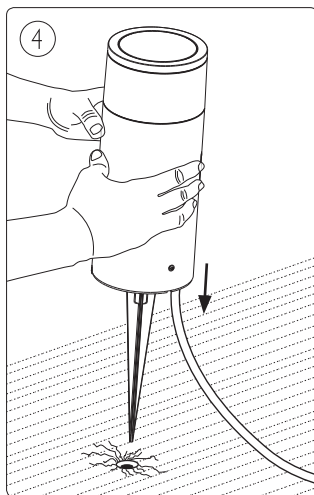
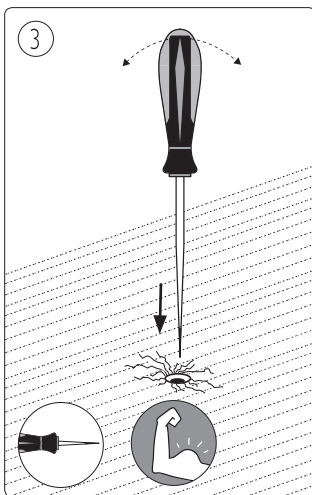
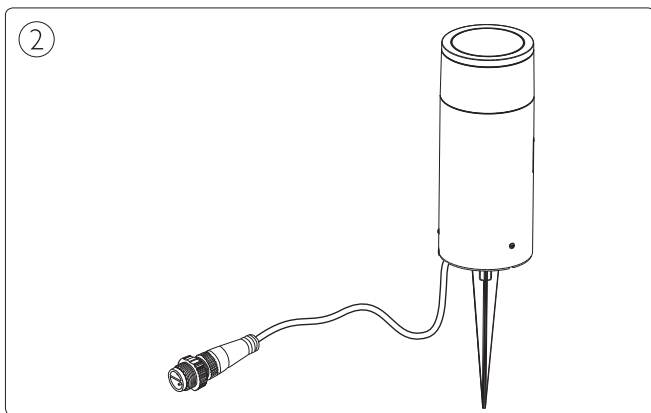


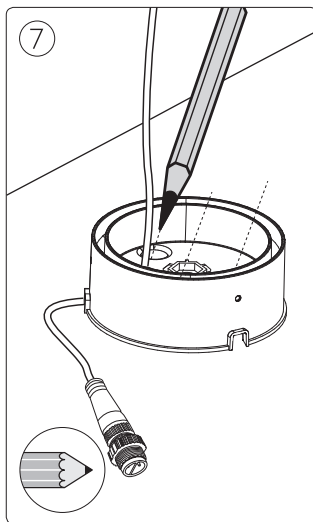
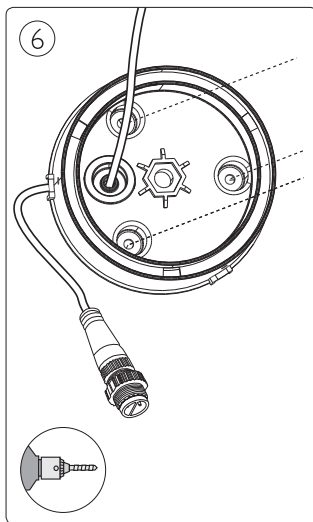
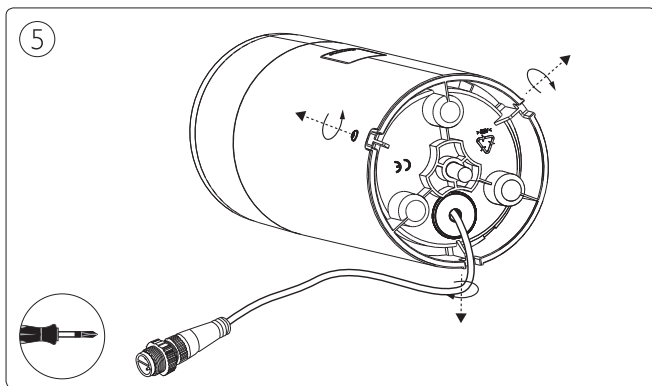
**PHILIPS**

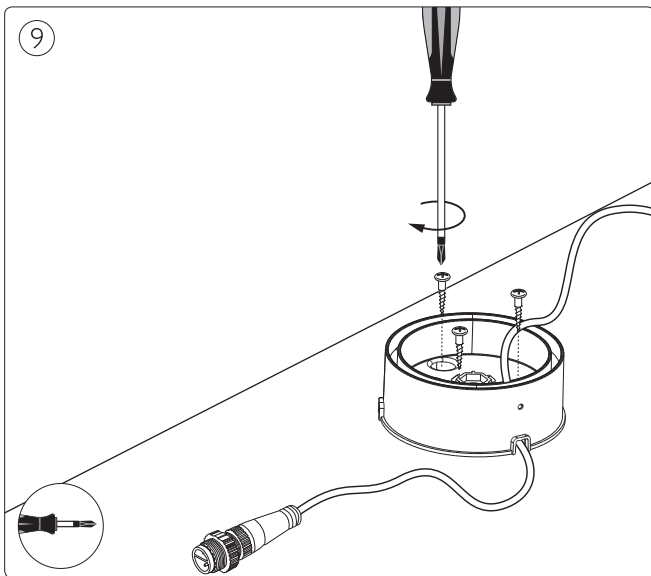
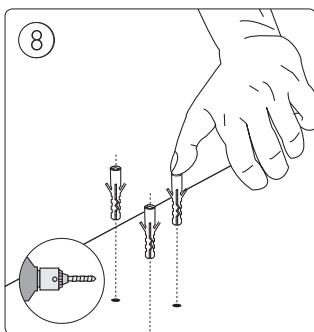


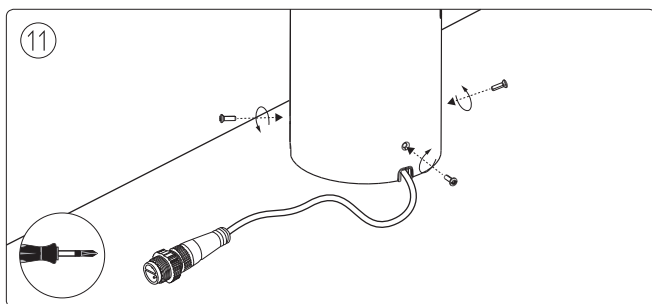
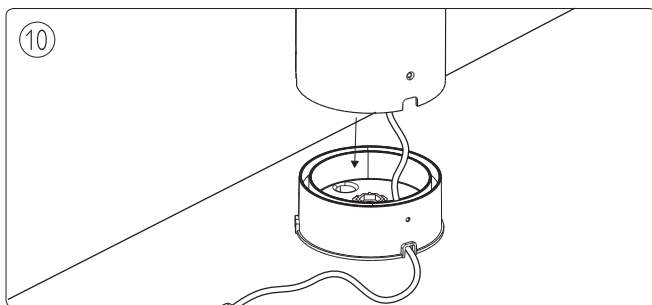
[www.meethue.com/getstarted](http://www.meethue.com/getstarted)

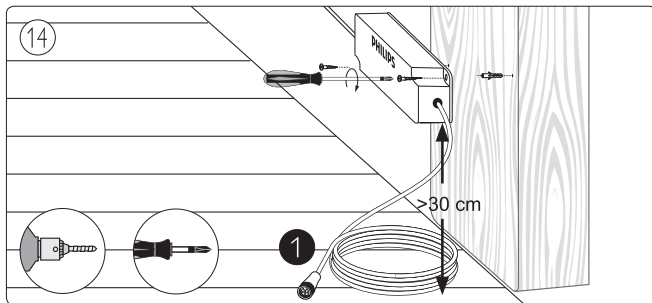
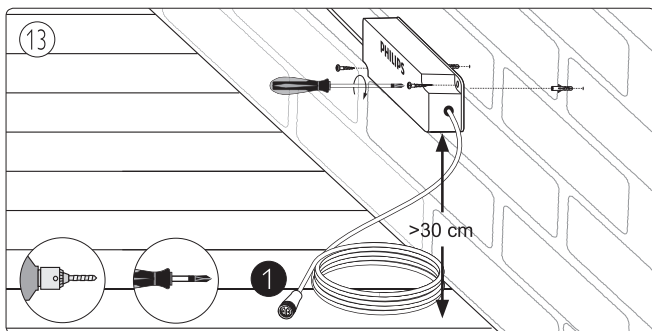
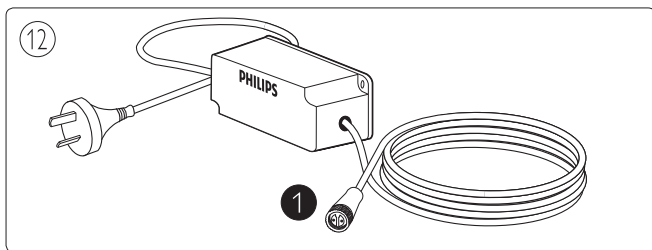




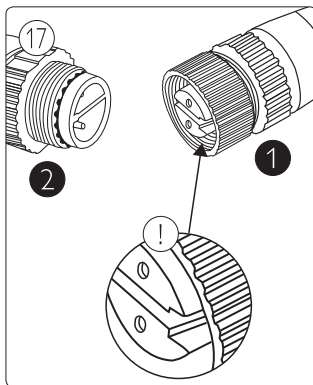
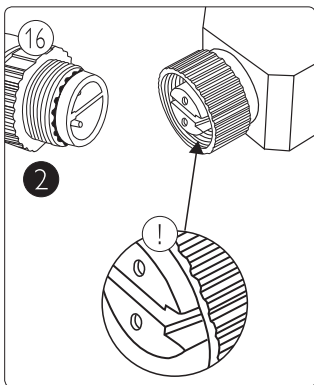
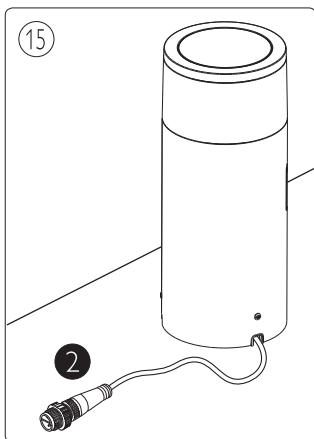


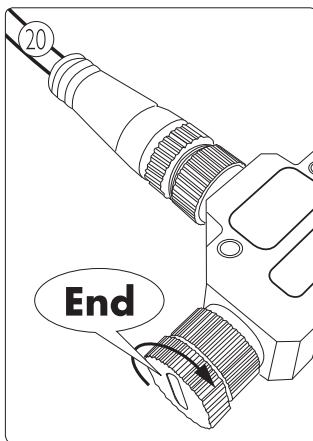
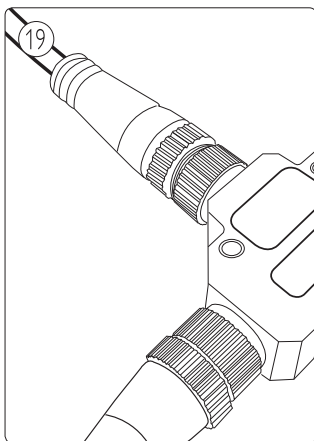
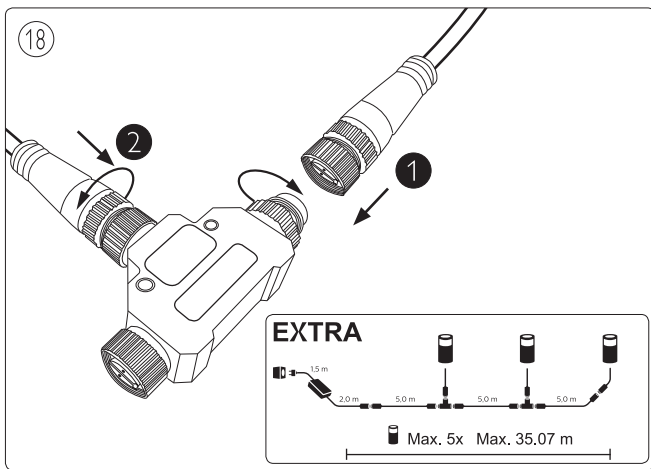


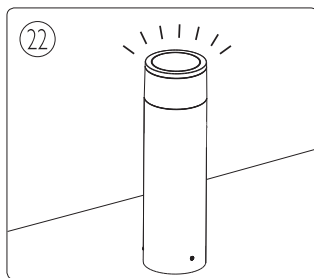
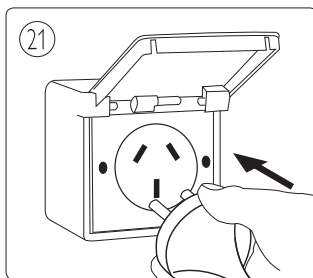












Use only with Philips Hue 24V luminaires!



Philips Lighting Australia Limited  
65 Epping Road, North Ryde,  
NSW, 2113 Australia  
Toll Free number: 1300 304 404

Philips New Zealand Limited  
123 Carlton Gore Road  
Newmarket, Auckland 1023  
New Zealand  
Tel: 0800 454 448

[www.meethue.com/getstarted](http://www.meethue.com/getstarted)  
[www.philips.com](http://www.philips.com)

440402910771  
Last update: 30/07/2018