



Gebruiksaanwijzing
Notice d'emploi
Benutzerhandbuch
User manual
Manual de usuario
Manual do usuário



HUE serial number

17448/**/P7

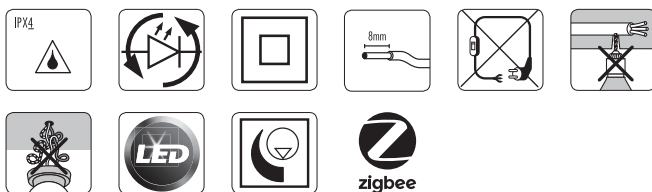
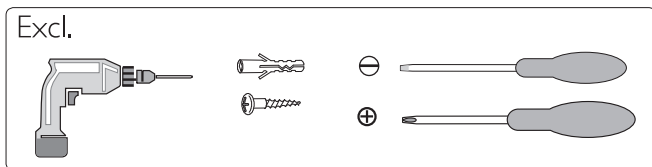
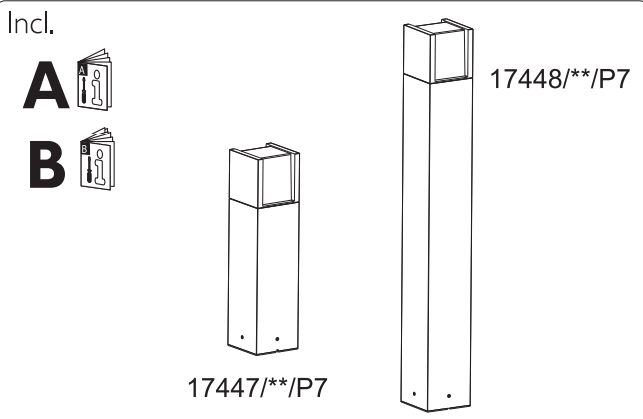


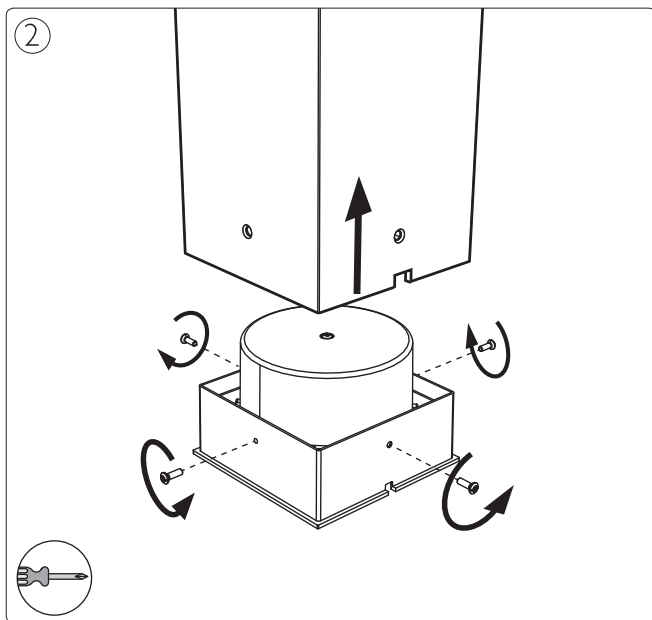
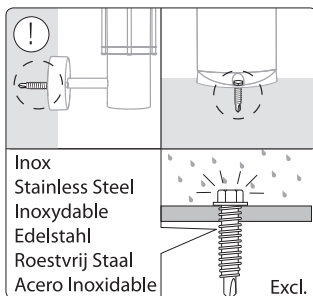
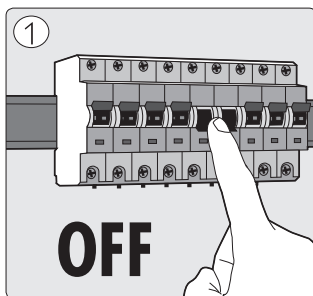
17447/**/P7

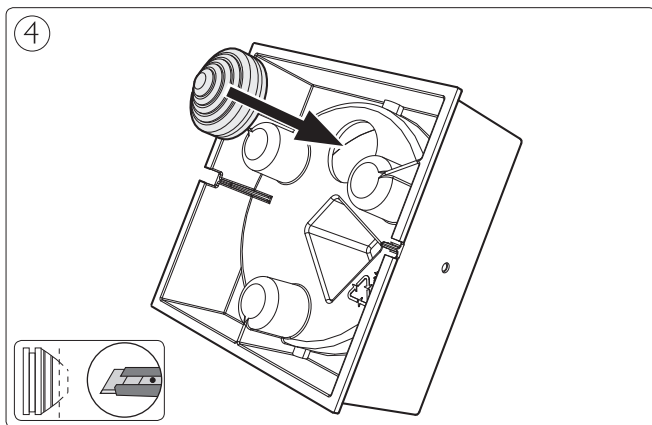
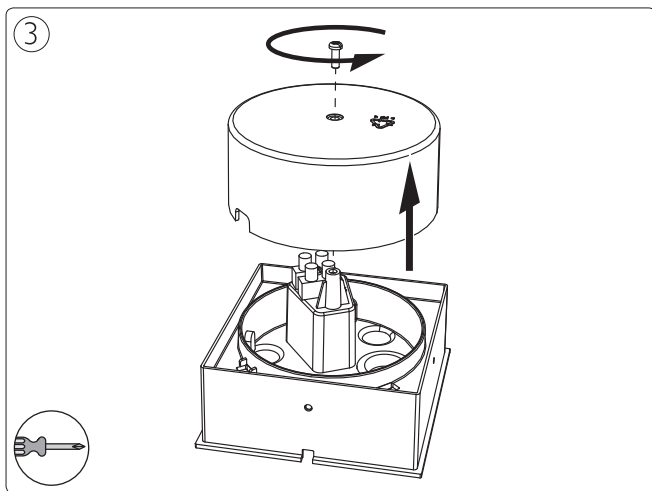


PHILIPS

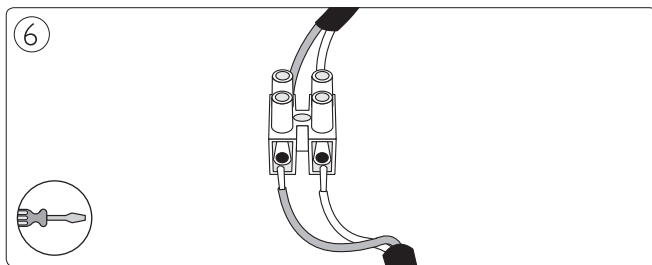
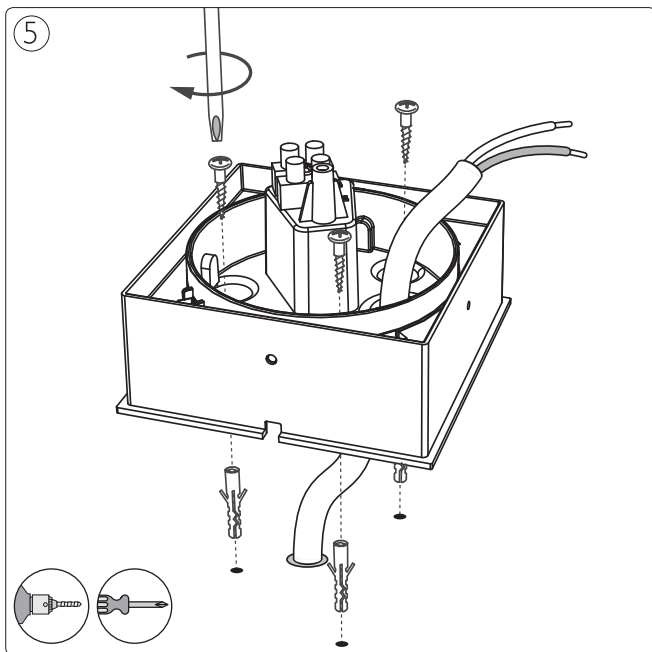




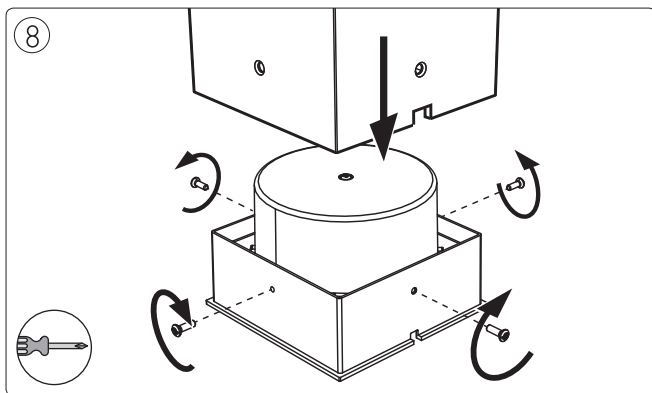
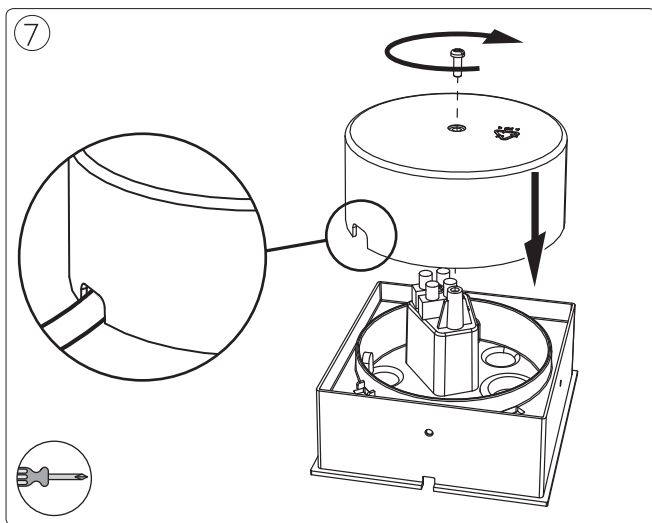


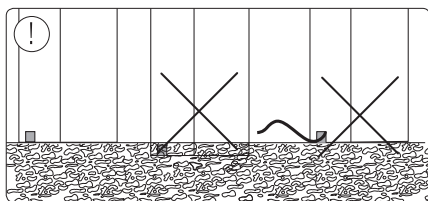
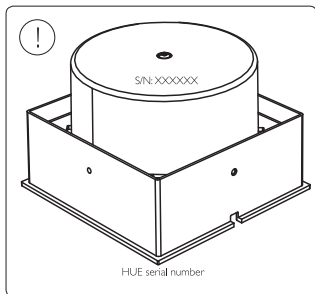
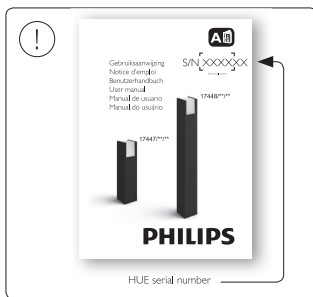
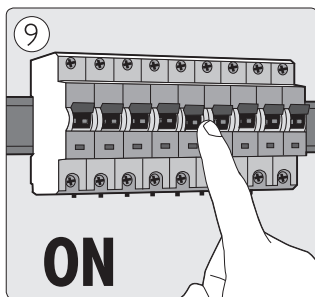


4



5







Signify
I.B.R.S. / C.C.R.I. Numéro 10461
5600VB Eindhoven, the
Netherlands
☎ 00800-74454775

Signify Australia Limited
65 Epping Road, North Ryde,
NSW, 2113 Australia
Toll Free number: 1300 304 404

Signify New Zealand Limited
123 Carlton Gore Road
Newmarket, Auckland 1023
New Zealand
Tel: 0800 454 448

www.meethue.com

440402911011
© 2019 Signify Holding
Last update: 19/09/18