

Electrical Information	
Input Voltage	Powered by SR driver low-voltage interface
Current Consumption	13mA
Nominal Power Consumption	200mW
Standby Power	< 1 W on luminaire level, including driver standby power
Occupancy Sensing	
Type	Passive infrared (PIR)
Enable/Disable	Default enabled
Detection	Off/Auto-on; Red LED indicates "on"
Eco On Level	0-100%
Hold Time	0.5-60 minutes
Viewing Angle	X=72°, Y = 86° (See detection pattern)
Background Light Level	0-100%
Prolong Time	0 minutes - infinity
Grace Fading	0-25 sec
Response Time/Fading to Switch On/Off	0.7Sec
Daylight Sensing	
Enable/Disable	Default enabled
Auto-calibration	Upon power-up
Viewing Angle	40° (half value sensitivity); 2% cut-off point at 75°
Task Tuning	
Full Light Setting	0-100%
Environment & Approbation	
Operating Ambient Temperature Range	0°C to 55°C
Operating Humidity	0-95% non condensing
Storage Temperature	-25°C to 85°C
Storage Humidity	0-95% non condensing
Max Case Temperature (Tcase)	55°C
Agency Approbations	UL, CSA; Tested and approved for use in plenums; FCC ID: 2AF2N-SNS100; IC: 20659-SNS100
Certification	
Limited Warranty	5 years
Digital Interface	Xitanium SR
Other	
Status Indicators	Red, Yellow, Yellow LED on: Vacancy & Sensor is functional; Red LED on: Motion is detected
No. Drivers per Sensor	Four (max)
Field Configuration	via NFC or IR. Parameters set via Philips field apps

Operation and Configuration via Mobile App

EasySense operates immediately upon installation and energization without further commissioning. If changes from default settings are desired, EasySense can be configured via Philips field apps through NFC or IR. For a complete description of the features and default settings—as well as details on the app—refer to www.philips.com/easysense.

FCC and IC Statement

This device complies with part 15 of the FCC rules for the United States and Industry Canada (IC) license-exempt RSS standard(s). Operation is subject to the following two conditions: (1) This device may not cause harmful interference, and (2) this device must accept any interference received, including interference that may cause undesired operation. Any changes or modifications not expressly approved by Philips could void the user's authority to operate this equipment. This product is intended for commercial use only.

Déclaration De Conformité À La Fcc/Ic

Ce dispositif est conforme à la partie 15 des règles de la Federal Communications Commission (FCC) des États-Unis et d'Industrie Canada (IC) exempts de licence RSS norme(s). Son fonctionnement est assujéti aux deux conditions suivantes : (1) Ce dispositif ne doit pas provoquer de brouillage préjudiciable, et (2) il doit accepter tout brouillage reçu, y compris le brouillage pouvant entraîner un mauvais fonctionnement. Tous les changements ou modifications non expressément approuvés par Philips, sont susceptibles d'annuler le droit de l'utilisateur à se servir de cet équipement. Ce produit est exclusivement destiné à un usage commercial.

© 2016 Philips Lighting Holding BV. All rights reserved. Philips reserves the right to make changes in specifications and/or to discontinue any product at any time without notice or obligation and will not be liable for any consequences resulting from the use of this publication. philips.com/easysense



Philips Lighting North America Corporation
10275 W. Higgins Road, Rosemont IL 60018
Tel: 800-322-2086 Fax: 888-423-1882
Customer/Technical Service: 800-372-3331
OEM Support: 866-915-5886

Philips Lighting Canada Ltd.
281 Hillmount Rd, Markham, ON, Canada L6C 2S3
Tel. 800-668-9008

PHILIPS

Sensors

EasySense

Fixture-Mount



Philips EasySense Quick Installation Guide

Sensor Part Number

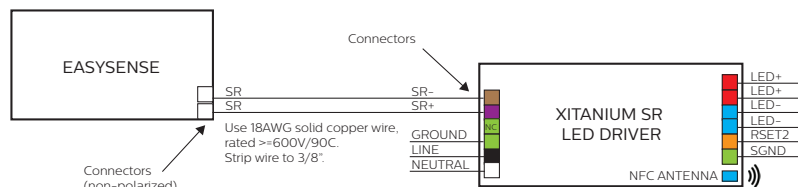
Commercial Product Name	Order Code
EasySense Fixture-Mount Sensor	SNS100 SNS102 SNS200

Compatible LED Drivers

Driver Model Number	Description
XI040C110V054VPT1	Xitanium 40W 0.1-1.1A 27-54V 120-277V SR
XI075C200V054VPT1	Xitanium 75W 0.1-2.0A 27-54V 120-277V SR

Specifications available at www.philips.com/XitaniumSR.

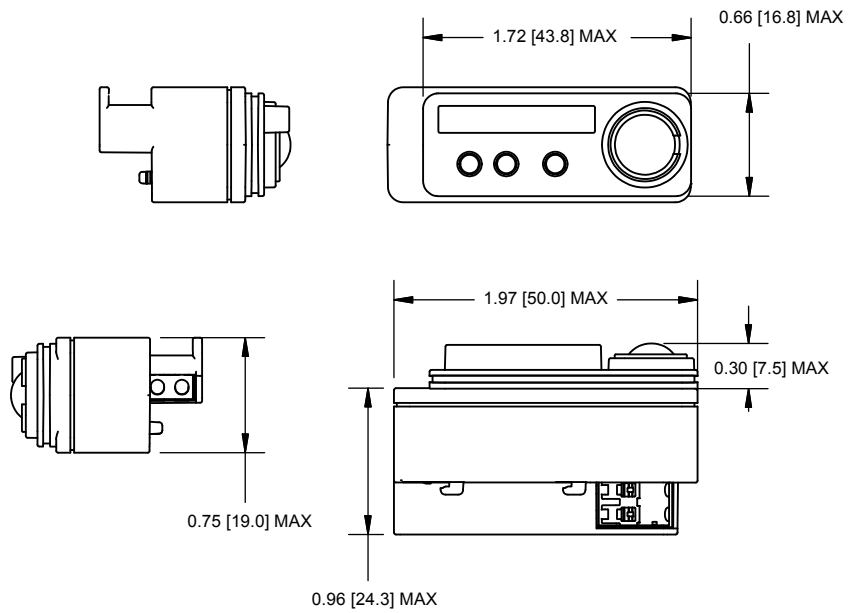
Wiring Diagram



Connection	Color
White	Neutral
Black	Line
Green	Ground
Purple	SR+
Brown	SR-

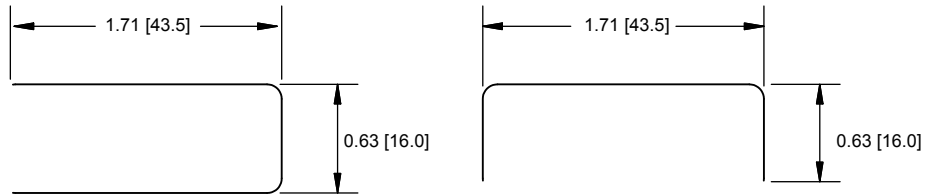
Connection	Color
Red	LED+
Blue	LED-
Orange	RSET2
Green	SGND

Sensor Dimensions (in/mm)

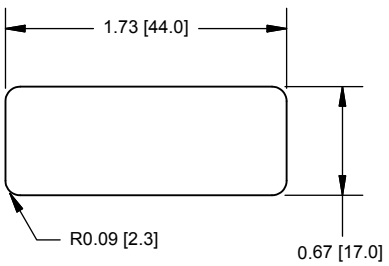


Mounting Dimensions (in/mm)

Mounting in U-shaped slot in sheet metal (max thickness 1 mm)

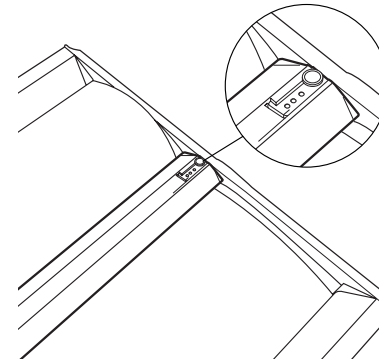


Mounting in cut-out in sheet metal (thickness 0.7 mm to 1.2 mm)

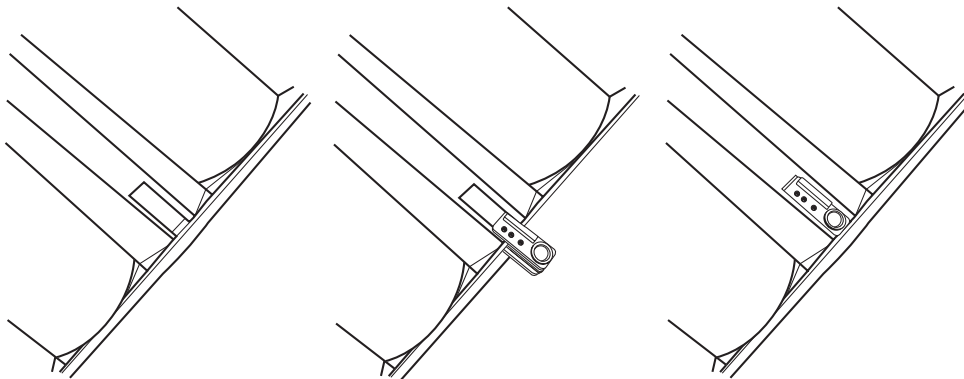


Note: Consult factory for accessory mounting ring to secure sensor to cut-out.

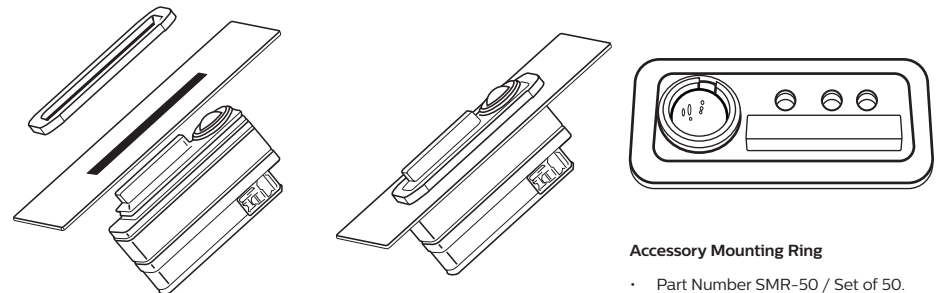
Fixture with EasySense installed



Mounting in a slot



Mounting in a cut-out with mounting ring



Accessory Mounting Ring

- Part Number SMR-50 / Set of 50.
- Ordered separately, not included.