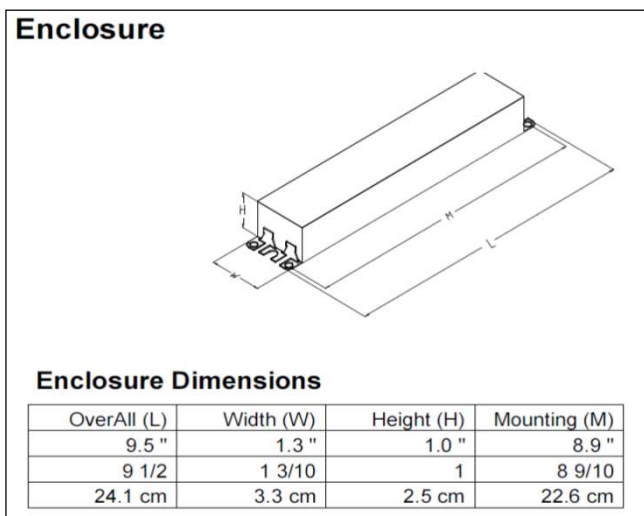
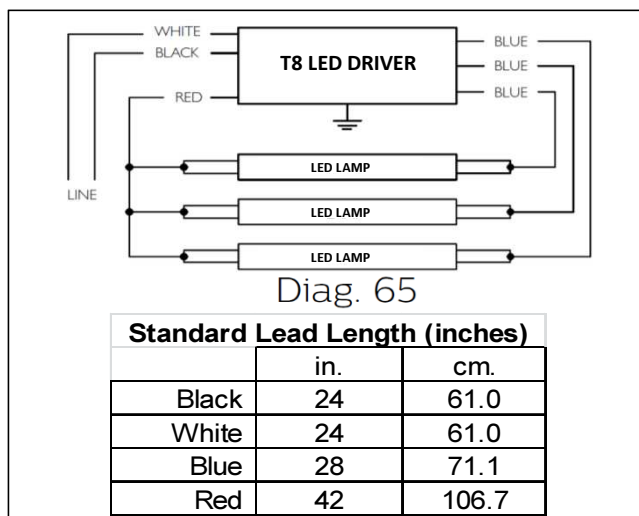


ICN-3P16-TLED-N	
Brand Name	CENTIUM
Driver Type	T8 LED Electronic
Lamp Connection	Parallel
Input Voltage	120-277V
Input Frequency	50/60 Hz
Status	Active

Electrical Specifications

Compatible Lamp Information							Driver Specifications @120V/@277V					
T8 LED Lamp Brand	T8 LED Lamp Description	T8 LED Lamp Product No.	T8 LED Lamp Model No.	T8 LED Lamp Ordering Code	Bare Lamp Watts (W)	Nom. Initial Lumens	Min. Start Temp (°F/°C)	Num. of Lamps	Input Current (A)	Input Power (W)	Max THD%	Power Factor
Philips	LED InstantFit T8 - 4'	453589	9290011239	12T8/48-3000 IF 10/1	12	1500	-13/-25	3	0.33/0.15	40	10	0.99/0.96
		453597	9290011240	12T8/48-3500 IF 10/1		1500						
		453605	9290011241	12T8/48-4000 IF 10/1		1600						
		453613	9290011242	12T8/48-5000 IF 10/1		1650						
Philips	LED InstantFit T8 - 4' High Output	456897	9290011585	15T8/48-3000 IF 10/1	15	2000	-13/-25	3	0.43/0.19	51	10	0.99/0.97
		456905	9290011586	15T8/48-3500 IF 10/1		2000						
		456913	9290011587	15T8/48-4000 IF 10/1		2100						
		456921	9290011588	15T8/48-5000 IF 10/1		2100						
Philips	LED InstantFit T8 - 4' Ultra High Output	463133	9290012267	16.5T8 LED/48-3500 IF 10/1 UHO	16.5	2400	-13/-25	3	0.45/0.20	56	10	0.99/0.97
		463141	9290012268	16.5T8 LED/48-4000 IF 10/1 UHO		2500						
		463158	9290012269	16.5T8 LED/48-5000 IF 10/1 UHO		2500						
Philips	LED InstantFit T8 - 3'	452052	9290011183	10.5T8/36-3000 IF 10/1	10.5	1100	-13/-25	3	0.31/0.14	36	10	0.99/0.95
		452060	9290011184	10.5T8/36-3500 IF 10/1		1160						
		452078	9290011185	10.5T8/36-4000 IF 10/1		1200						
		452086	9290011186	10.5T8/36-5000 IF 10/1		1270						
Philips	LED InstantFit T8 - 2'	452011	9290011179	8.5T8/24-3000 IF 10/1	8.5	950	-13/-25	3	0.27/0.12	32	10	0.99/0.94
		452029	9290011180	8.5T8/24-3500 IF 10/1		1040						
		452037	9290011181	8.5T8/24-4000 IF 10/1		1050						
		452045	9290011182	8.5T8/24-5000 IF 10/1		1100						



Revised: 07/27/16

Data is based on tests performed by Philips Lighting NA in a controlled environment and is representative of relative performance. Actual performance can vary depending on operating conditions. Specifications are subject to change without notice. All specifications are nominal unless otherwise noted.

Philips Lighting N.A.

10275 West Higgins Road • Rosemont, IL 60018 • www.philips.com/advance
Tel: 800-322-2086 • Fax: 800-423-1882 • Customer Support: 800-372-3331 • OEM Support: 866-915-5886



Electrical Specifications

ICN-3P16-TLED-N	
Brand Name	CENTIUM
Driver Type	T8 LED Electronic
Lamp Connection	Parallel
Input Voltage	120-277V
Input Frequency	50/60 Hz
Status	Active

Notes:

Section I - Physical Characteristics

- 1.1 Driver shall be physically interchangeable with standard electromagnetic or standard electronic ballasts, where applicable.
- 1.2 Driver shall be provided with integral leads color coded per ANSI C82.11.

Section II - Performance Requirements

- 2.1 Driver shall energize compatible LED lamps within 1 second after mains power is applied.
- 2.2 Driver shall provide Independent Lamp Operation (ILO) allowing remaining lamp(s) to maintain full light output when one or more lamps fail.
- 2.3 Driver shall contain auto restart circuitry in order to restart lamps without resetting power.
- 2.4 Driver shall operate from a 50Hz or 60 Hz AC input source of 120V through 277V with sustained variations of +/- 10% (voltage and frequency).
- 2.5 Driver shall be high frequency electronic type and operate lamps at frequencies above 42 kHz to avoid interference with infrared devices and eliminate visible flicker
- 2.6 Driver shall have a Power Factor of 0.90 or above when operating either the maximum or minimum rated number of compatible lamps.
- 2.7 Driver input current shall Total Harmonic Distortion (THD) of 10% or less when operating the maximum rated number of compatible lamps and 15% or less when operating the minimum rated number of compatible lamps.
- 2.8 Driver shall have a Class A sound rating.
- 2.9 Driver shall have a minimum starting temperature of -13°F / -25°C.
- 2.10 Driver shall tolerate sustained open circuit and short circuit output conditions.
- 2.11 Driver shall be capable of operating lamps remotely and in tandem for wire lengths up to 20 ft.
- 2.12 Driver shall be suitable of operation in up to a 45°C ambient temperature.

Section III - Regulatory Requirements

- 3.1 Driver shall not contain any Polychlorinated Biphenyl (PCB).
- 3.2 Driver shall be Underwriters Laboratories (UL) Recognized, and suitable for Damp and Dry conditions; and CSA Certified where applicable.
- 3.3 Driver shall comply with ANSI C62.41 Category A Transient protection.
- 3.4 Driver shall comply with the requirements of the Federal Communication Commission (FCC) rules and regulations, Title 47, CFR part 15, Non-Consumer (Class A) for EMI/RFI (conducted and radiated).
- 3.5 Driver shall comply with NEMA 410 for in-rush current limits.

Section IV - Other

- 4.1 Driver shall be manufactured in a factory certified to ISO 9001 Quality System Standards.
- 4.2 Driver shall carry a five year warranty from date of manufacture against defects in material and workmanship when operating in a 45°C ambient t

Philips Lighting N.A.

10275 West Higgins Road • Rosemont, IL 60018 • www.philips.com/advance
Tel: 800-322-2086 • Fax: 800-423-1882 • Customer Support: 800-372-3331 • OEM Support: 866-915-5886